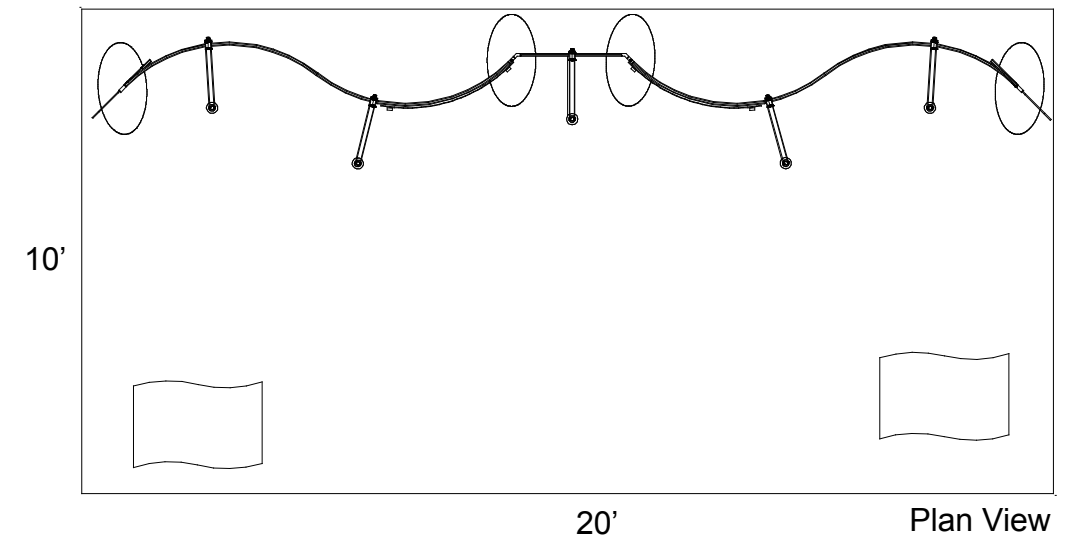
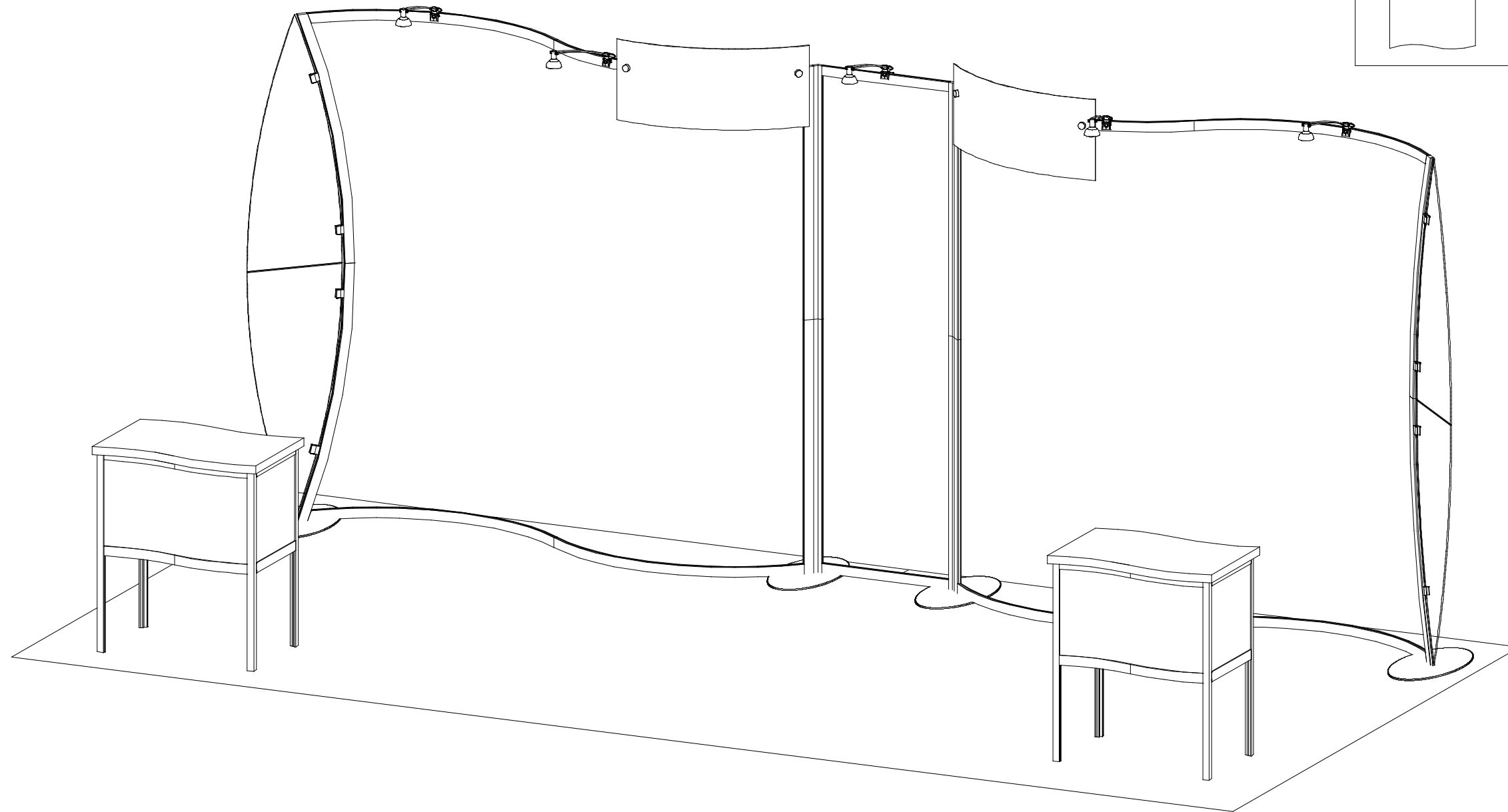


MAGELLAN DESIGNS



WHEN DISASSEMBLING ALUMINUM EXTRUSION, TIGHTEN ALL SETSCREWS AND LOCKS TO PREVENT LOSS DURING SHIPPING

MAGELLAN DESIGNS

Using Your Set-up Instructions:

The Visionary Designs Set-up Instructions for Magellan displays are created specifically for your configuration. They are laid out sequentially, including an exploded view of the entire display and a logical series of detailed steps for assembly. We encourage you to study the instructions **before** attempting to assemble your exhibit.

THIS IS VERY IMPORTANT!

Each page reminds you to tighten the setscrews after disassembling your exhibit to prevent loss of the locks and setscrews (see below in red).

Cleaning & Packing Your Display:

- 1) Use care when cleaning aluminum extrusions or acrylic inserts. Use only non-abrasive cleaners.
- 2) When cleaning laminate inserts or counter tops, use mild cleansers and a soft material such as cotton.
- 3) Keep all display components away from extreme heat and long exposure to sunlight to avoid warping and fading.
- 4) Retain all packing materials. It will make re-packing much easier and will reduce the likelihood of shipping damage.

Hex Key Tool



Most visionary design exhibits can be assembled with the supplied Hex Key Tool. Occasionally, a flat head screwdriver may be required.

Typical Connection

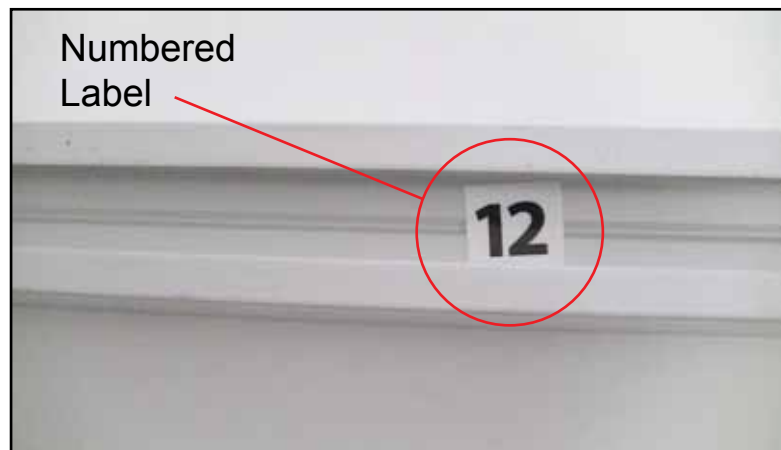


Detail A: Most horizontal extrusion connections have a patented expandable lock. This lock inserts into the groove of an opposing extrusion. Tightening the lock with the Hex Key Tool expands the lock and creates a strong positive connection.

Typical Connection

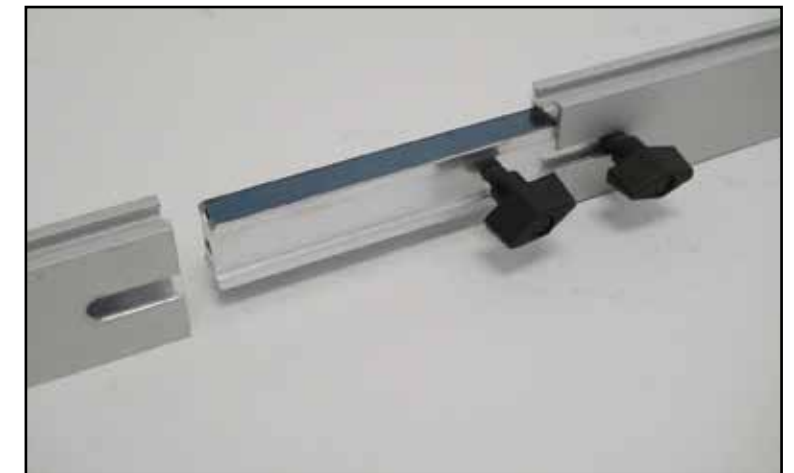


Numbered Label



Detail B: Each extrusion contains a numbered label that corresponds to set-up instructions. The label is located within a groove of the extrusion (when possible). Visionary Design labels contain Black numbers unless otherwise specified.

Horizontal Connection



Detail C: A rectangular connection bar with plastic T Knobs is inserted between two horizontal extrusions joined end-to-end. Turn the knobs clockwise to tighten. Do Not Overtighten.

WHEN DISASSEMBLING ALUMINUM EXTRUSION, TIGHTEN ALL SETSCREWS AND LOCKS TO PREVENT LOSS DURING SHIPPING

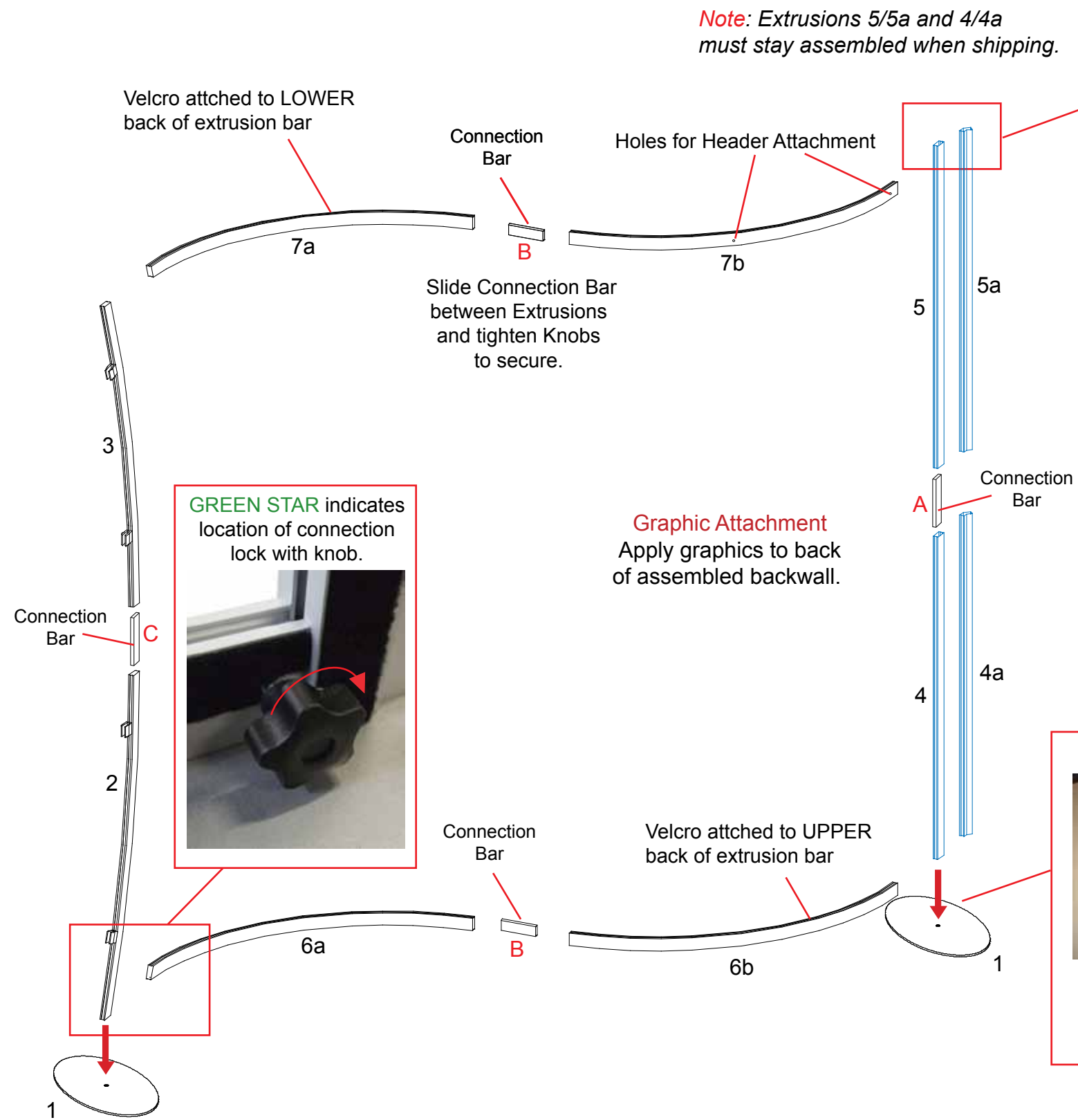
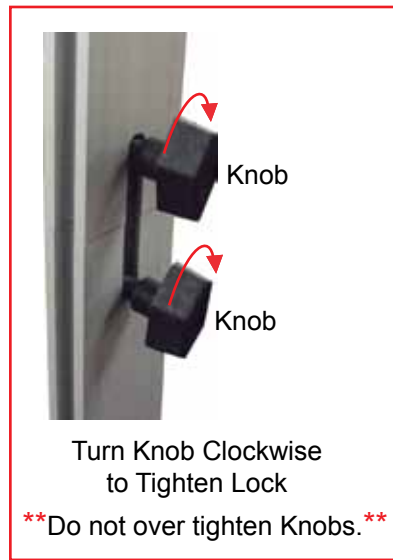
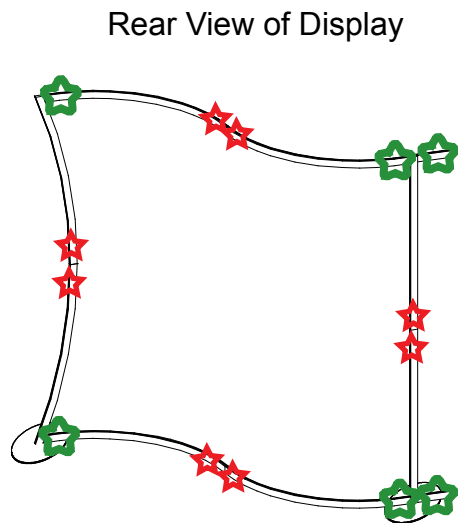
866.652.2100

Part Number	Qty	Description
1	2	Base Plate
2	1	48.115" Lower Curved Extrusion
3	1	48.115" Upper Curved Extrusion
4	1	47"h Lower Vertical Extrusion
5	1	47"h Upper Vertical Extrusion
6a/6b	1/1	52.476" Horizontal Curved Extrusion
7a/7b	1/1	52.476" Horizontal Curved Extrusion

Steps:

- 1) Attach vertical extrusions to base plates [2 to 1 and 4 to 1].
- 2) Connect vertical pieces together [2 to 3 and 4/4a to 5/5a].
- 3) Connect curved extrusions together [6a to 6b and 7a to 7b].
- 4) Attach horizontal assemblies [6a/6b and 7a/7b] between

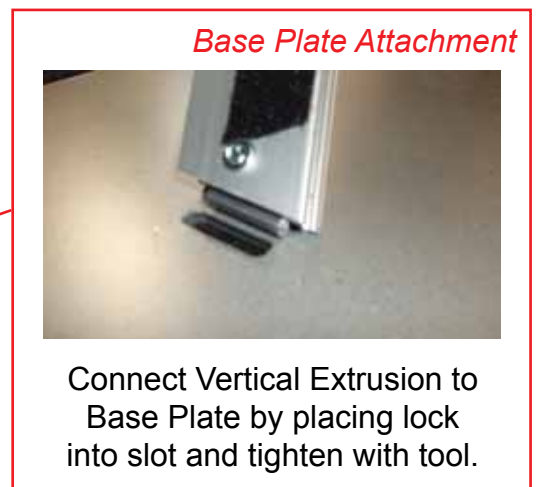
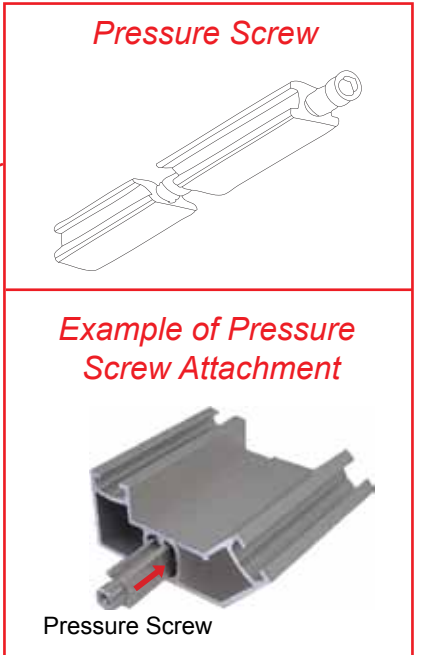
STAR indicates location of connection bar with knobs on BACKSIDE of unit.



Note: Extrusions 5/5a and 4/4a must stay assembled when shipping.



Graphic Attachment
Apply graphics to back of assembled backwall.



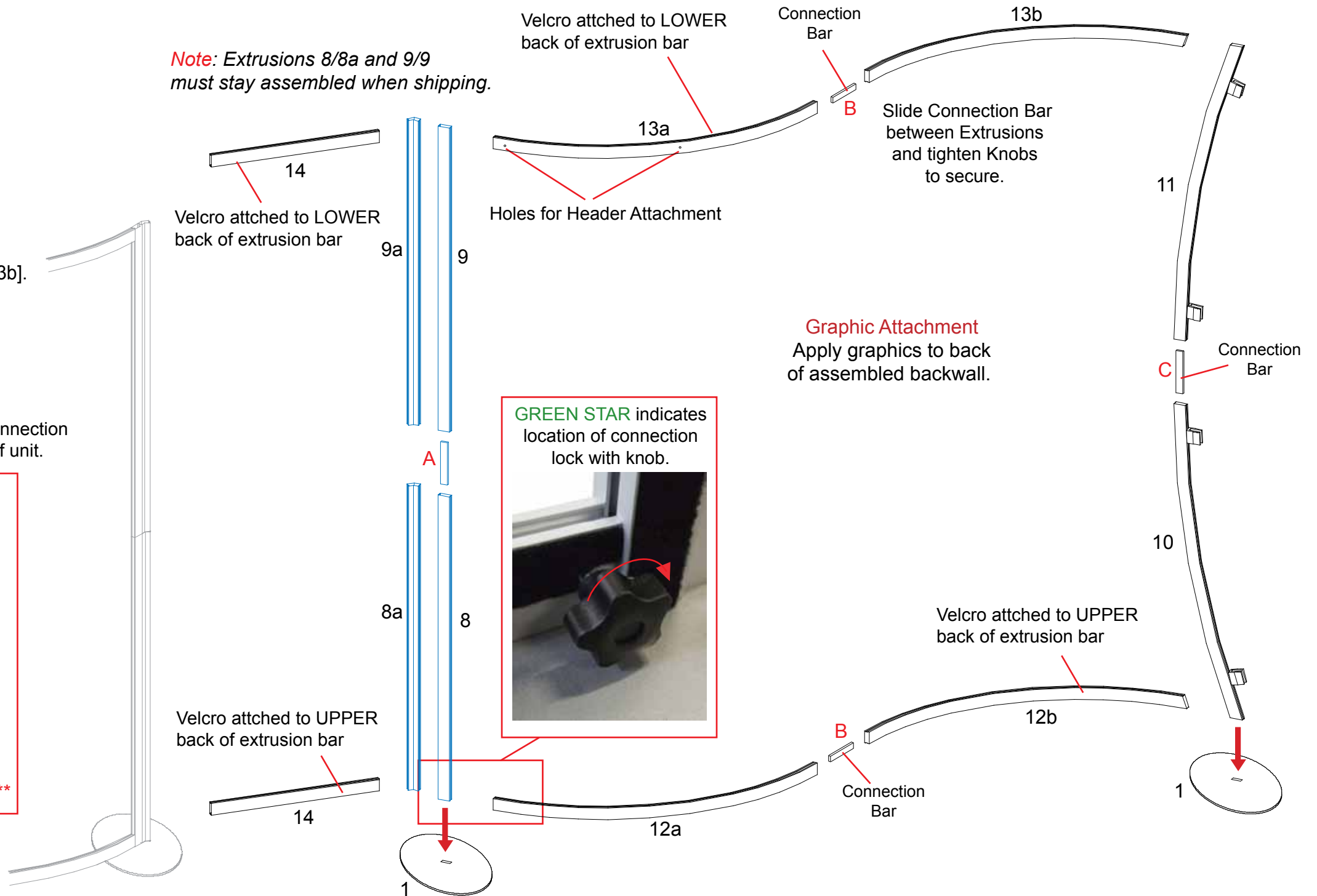
WHEN DISASSEMBLING ALUMINUM EXTRUSION, TIGHTEN ALL SETSCREWS AND LOCKS TO PREVENT LOSS DURING SHIPPING

Part Number	Qty	Description
1	2	Base Plate
8	1	47" h Lower Vertical Extrusion
8a	1	47" h Corner Extrusion
9	1	47" h Upper Vertical Extrusion
9a	1	47" h Corner Extrusion
10	1	48.115" Lower Curved Extrusion
11	1	48.115" Upper Curved Extrusion
12a/12b	1/1	52.476" Horizontal Curved Extrusion
13a/13b	1/1	52.476" Horizontal Curved Extrusion
14	2	25" w Horizontal Extrusion

Steps:

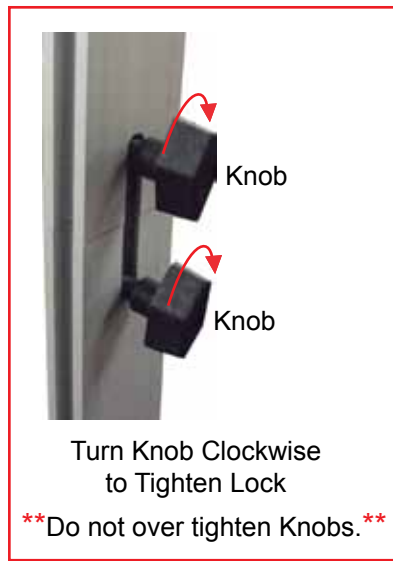
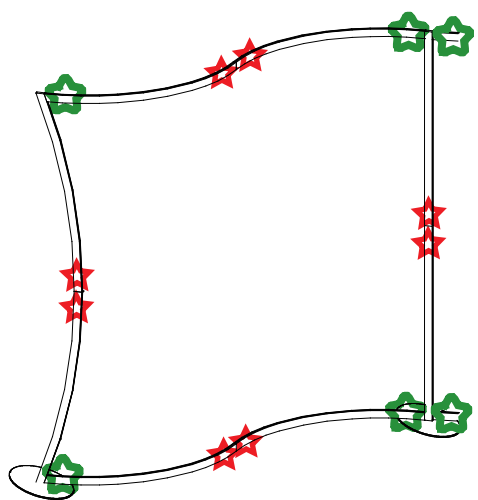
- 1) Attach vertical extrusions to base plates [8 to 1 and 10 to 1].
- 2) Connect vertical pieces together [8/8a to 9/9a and 10 to 11].
- 3) Connect curved extrusions together [12a to 12b and 13a to 13b].
- 4) Attach horizontal assemblies [12a/12b and 13a/13b] between vertical assemblies as shown.

Note: Extrusions 8/8a and 9/9 must stay assembled when shipping.



RED STAR indicates location of connection bar with knobs on **BACKSIDE** of unit.

Rear View of Display



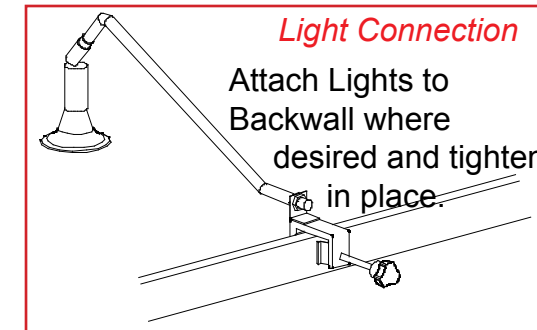
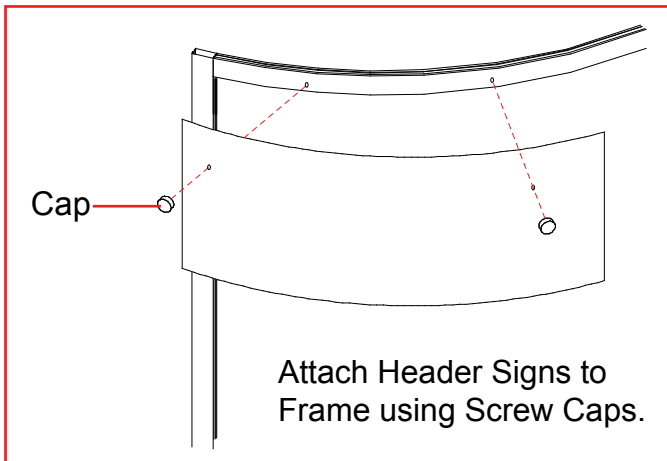
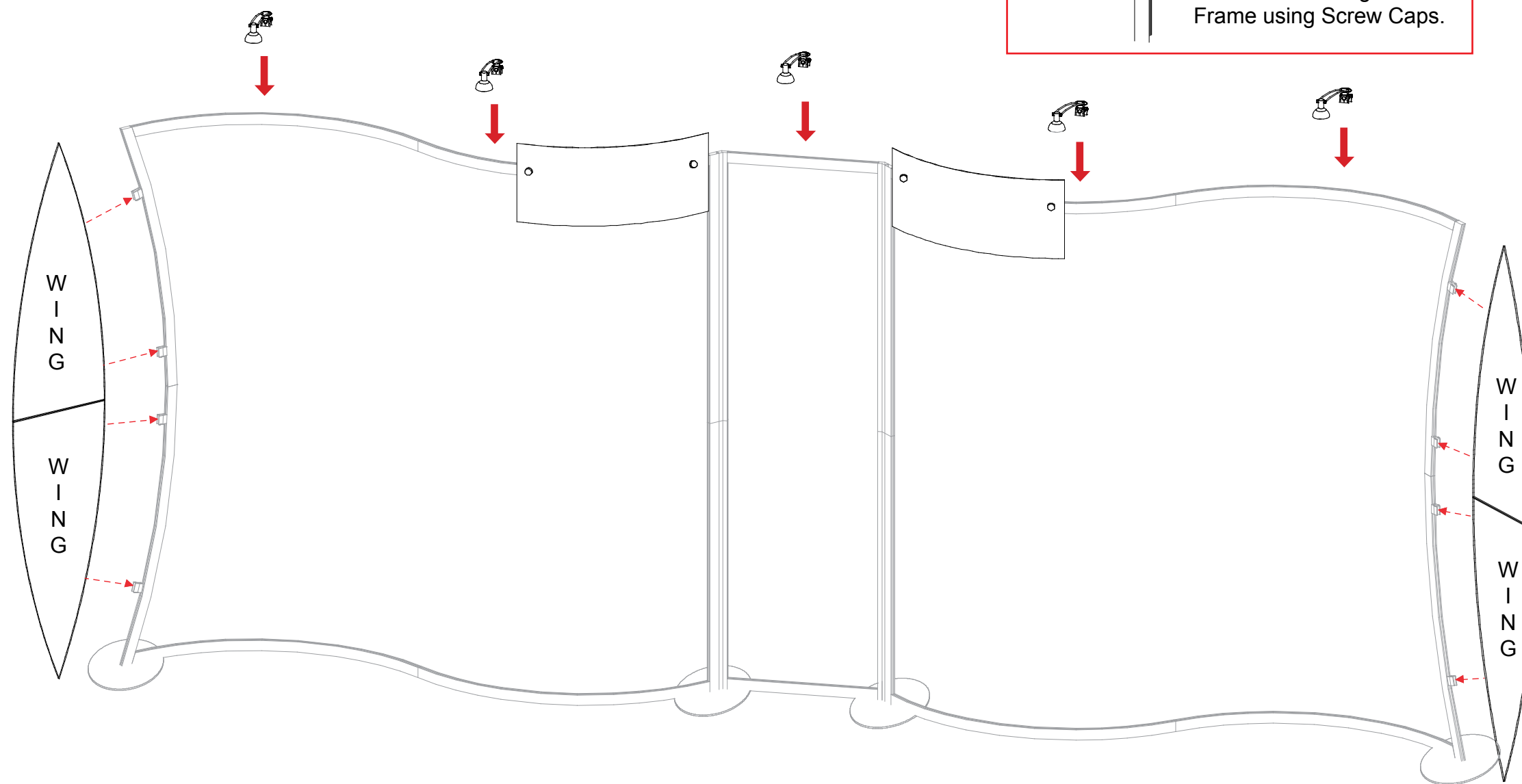
GREEN STAR indicates location of connection lock with knob.



WHEN DISASSEMBLING ALUMINUM EXTRUSION, TIGHTEN ALL SETSCREWS AND LOCKS TO PREVENT LOSS DURING SHIPPING

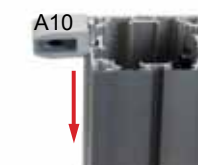
Graphic Attachment
 Apply graphics to back of assembled backwall.

866.652.2100



Wing Attachment

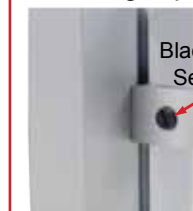
Slide A10 Clamp into groove of square extrusion.



When desired location is found, tighten set screw to secure.



Tighten black plastic set screw to secure Wing in place.



**Note:* A10 Clamps should remain attached to vertical extrusions

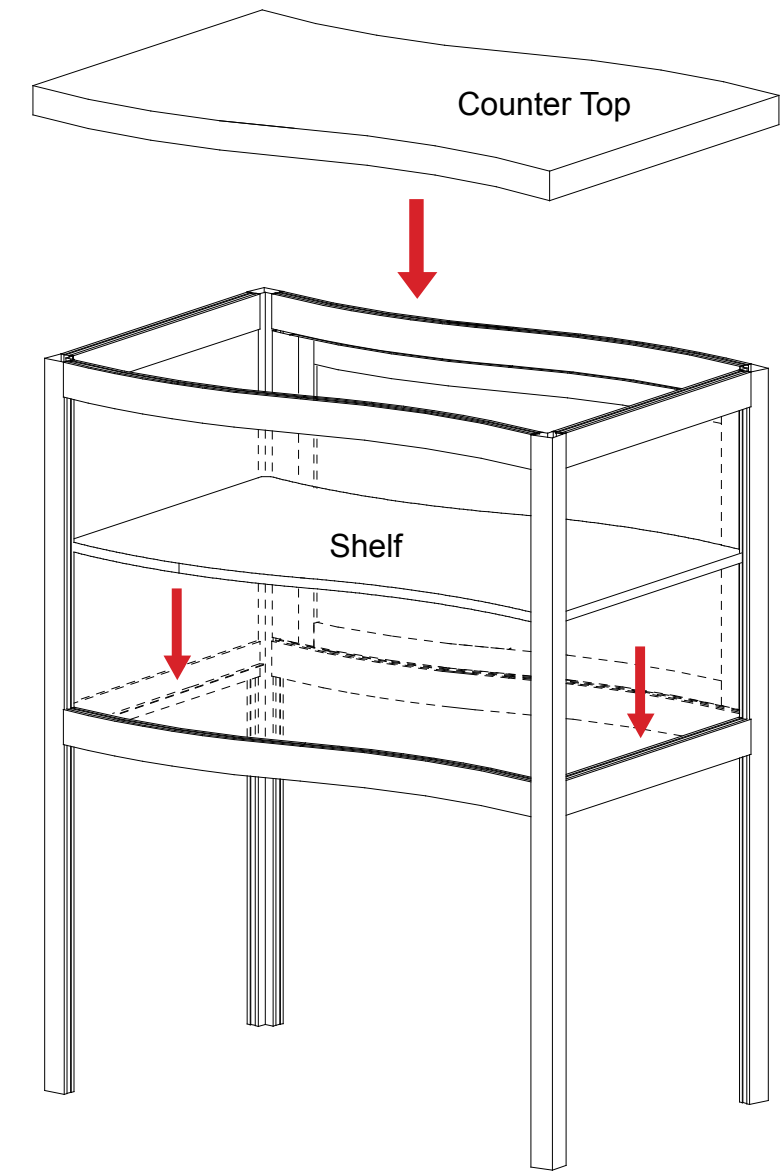
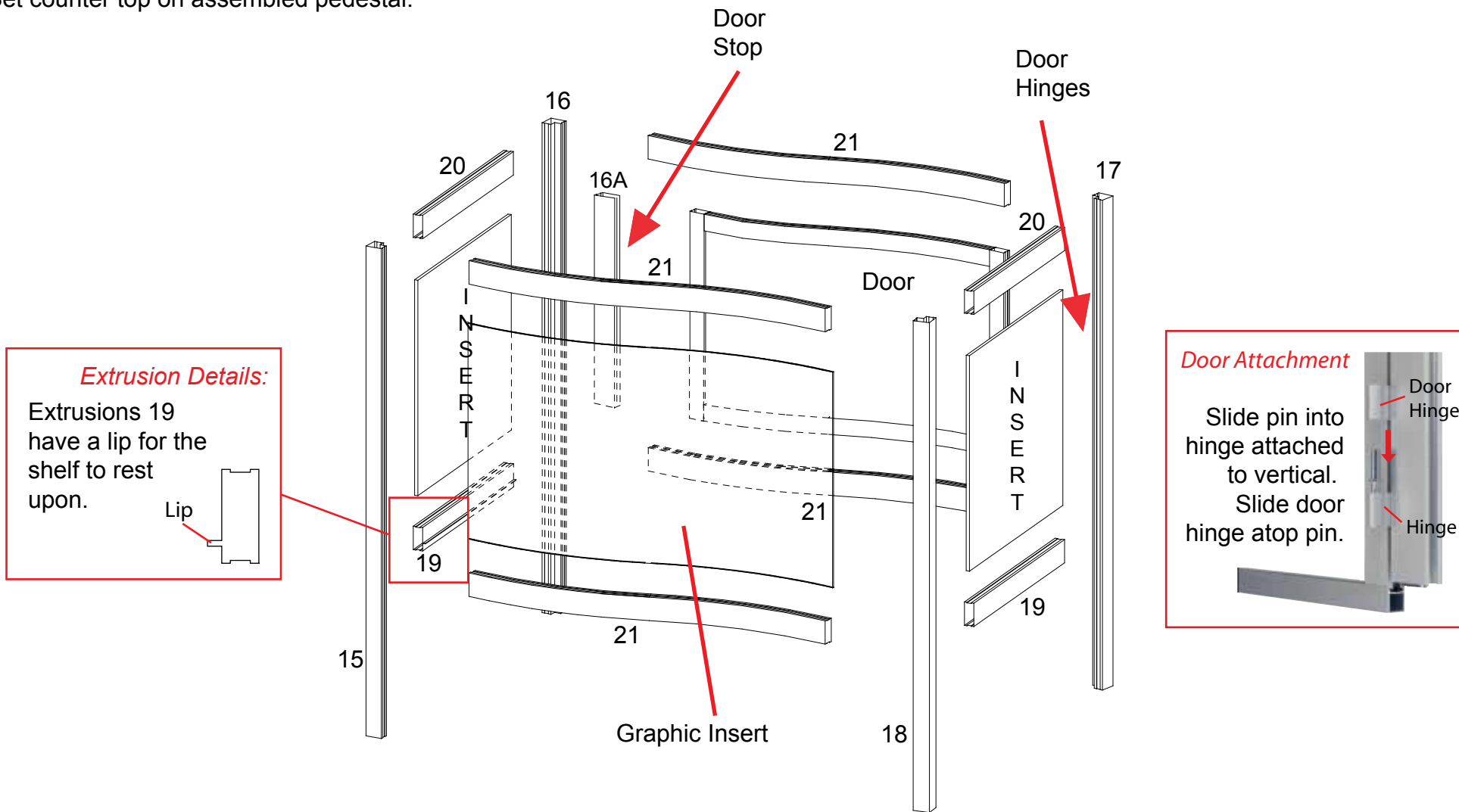
WHEN DISASSEMBLING ALUMINUM EXTRUSION, TIGHTEN ALL SETSCREWS AND LOCKS TO PREVENT LOSS DURING SHIPPING

866.652.2100

Item	Qty.	Description
15	1	37.50"h Vertical Extrusion
16	1	37.50"h Vertical Extrusion
16A	1	Door Stop
17	1	37.50"h Vertical Extrusion
18	1	37.50"h Vertical Extrusion
19	2	Horizontal Extrusion w/ Lip
20	2	Horizontal Extrusion
21	4	Curved Horizontal Extrusion

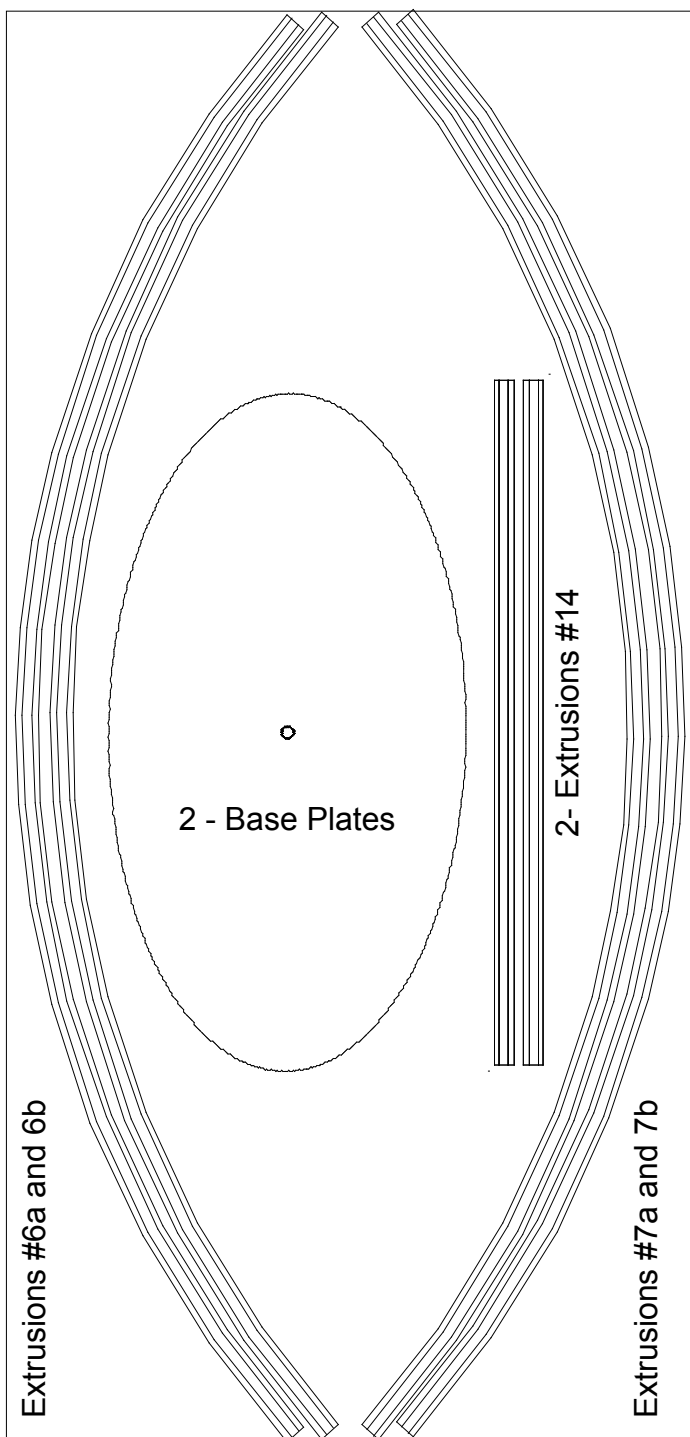
Steps

- 1) Connect lower horizontal extrusions [19 and 21] between vertical extrusions [15, 16, 17 and 18] as shown.
- 2) Place inserts and attach door where indicated.
- 3) Attach upper horizontal extrusions [20 and 21] between vertical extrusions [15, 16, 17 and 18] and atop inserts and door.
- 4) Place shelf atop lip of extrusions [19].
- 5) Set counter top on assembled pedestal.

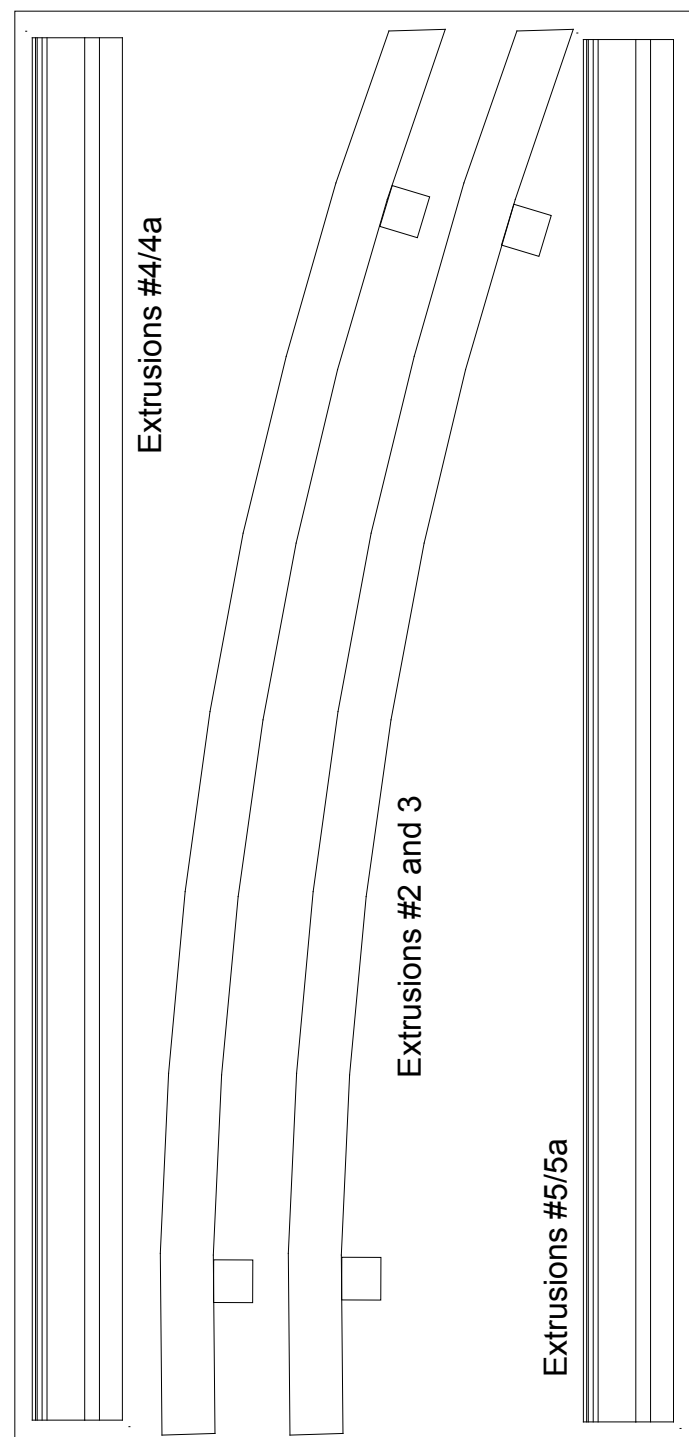


WHEN DISASSEMBLING ALUMINUM EXTRUSION, TIGHTEN ALL SETSCREWS AND LOCKS TO PREVENT LOSS DURING SHIPPING

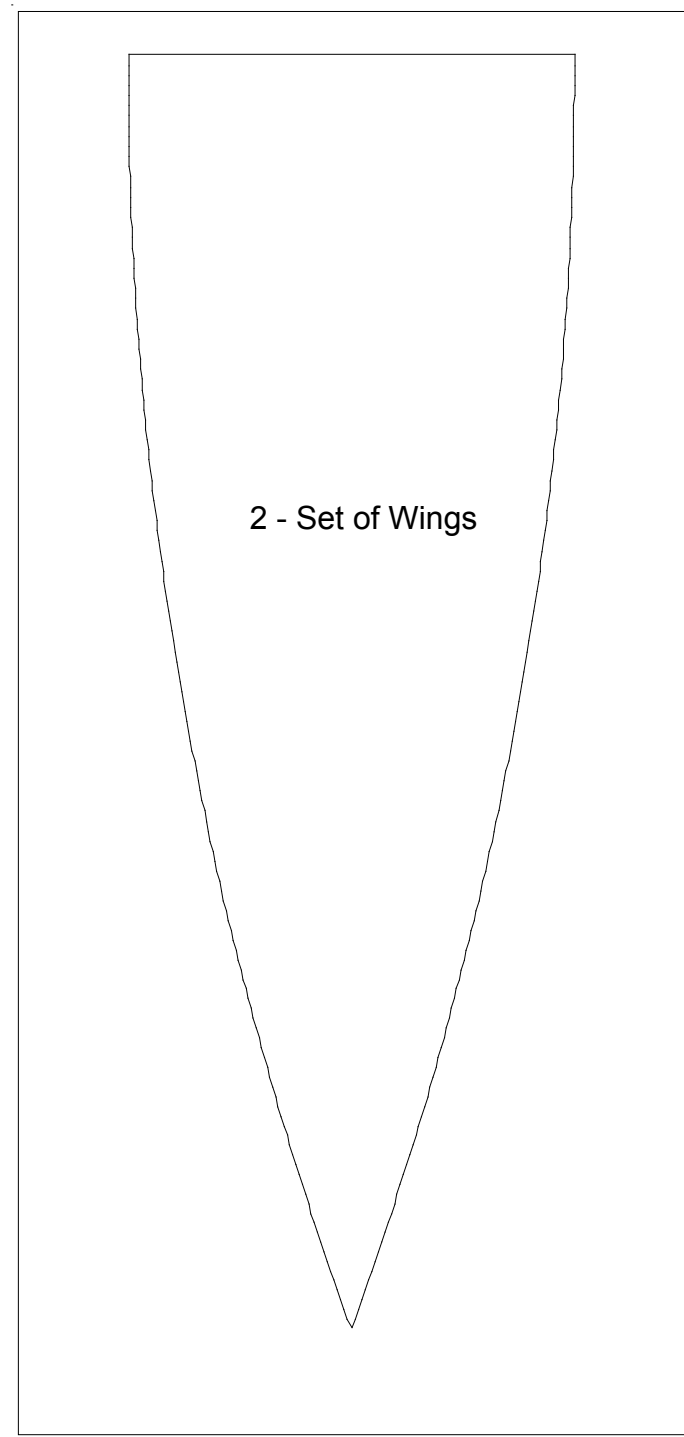
Backwall Components



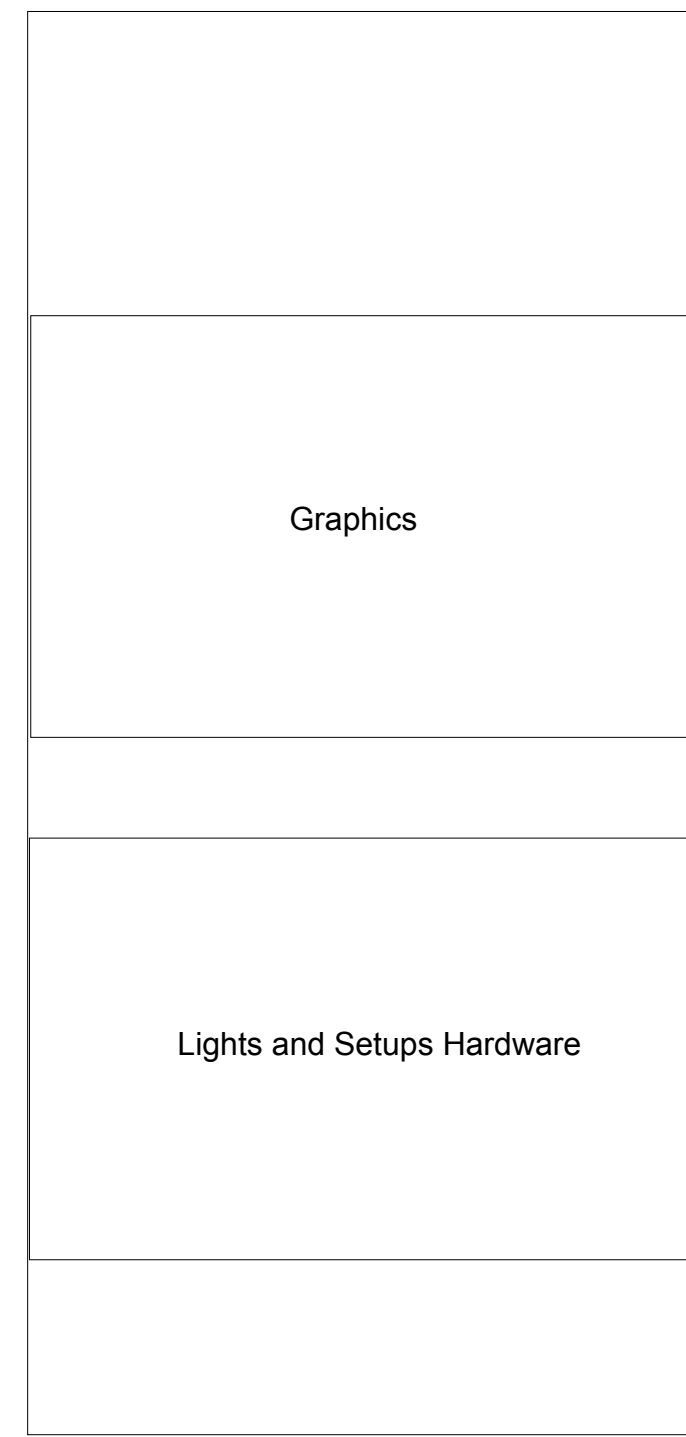
Level 1



Level 2



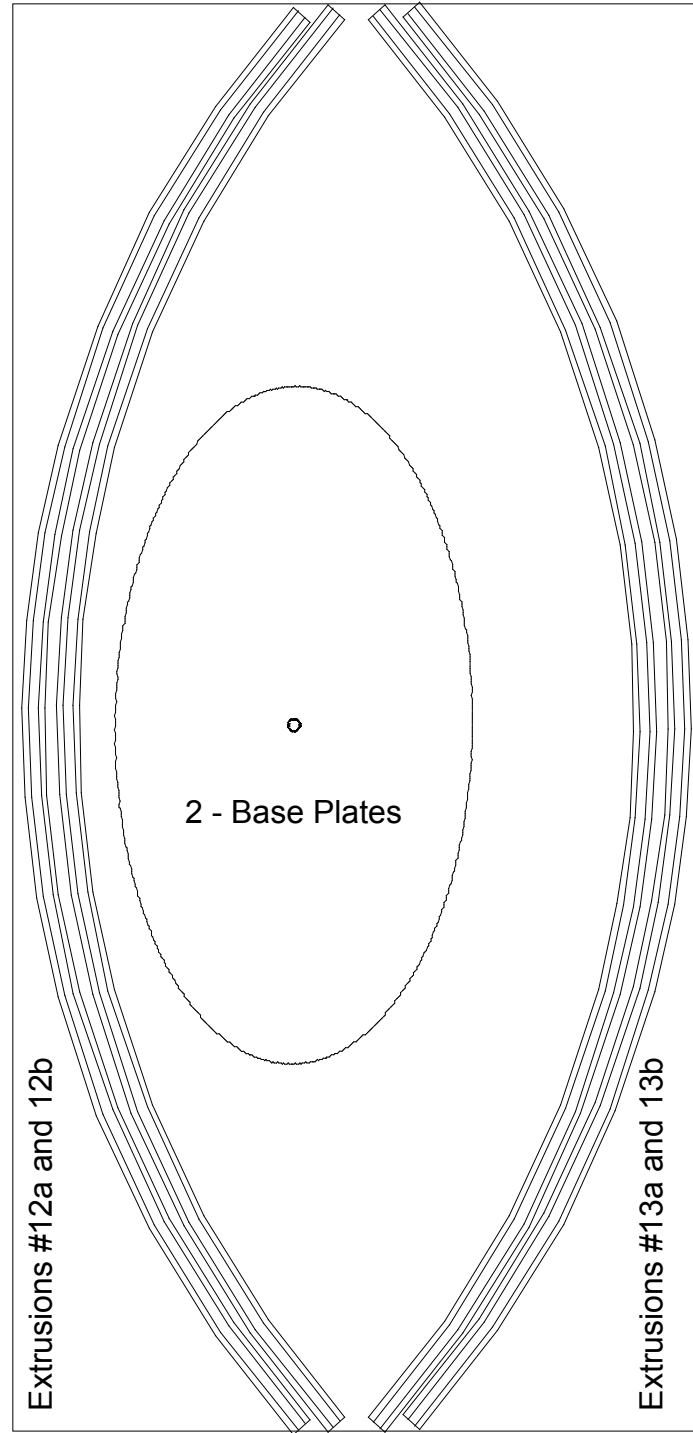
Level 3



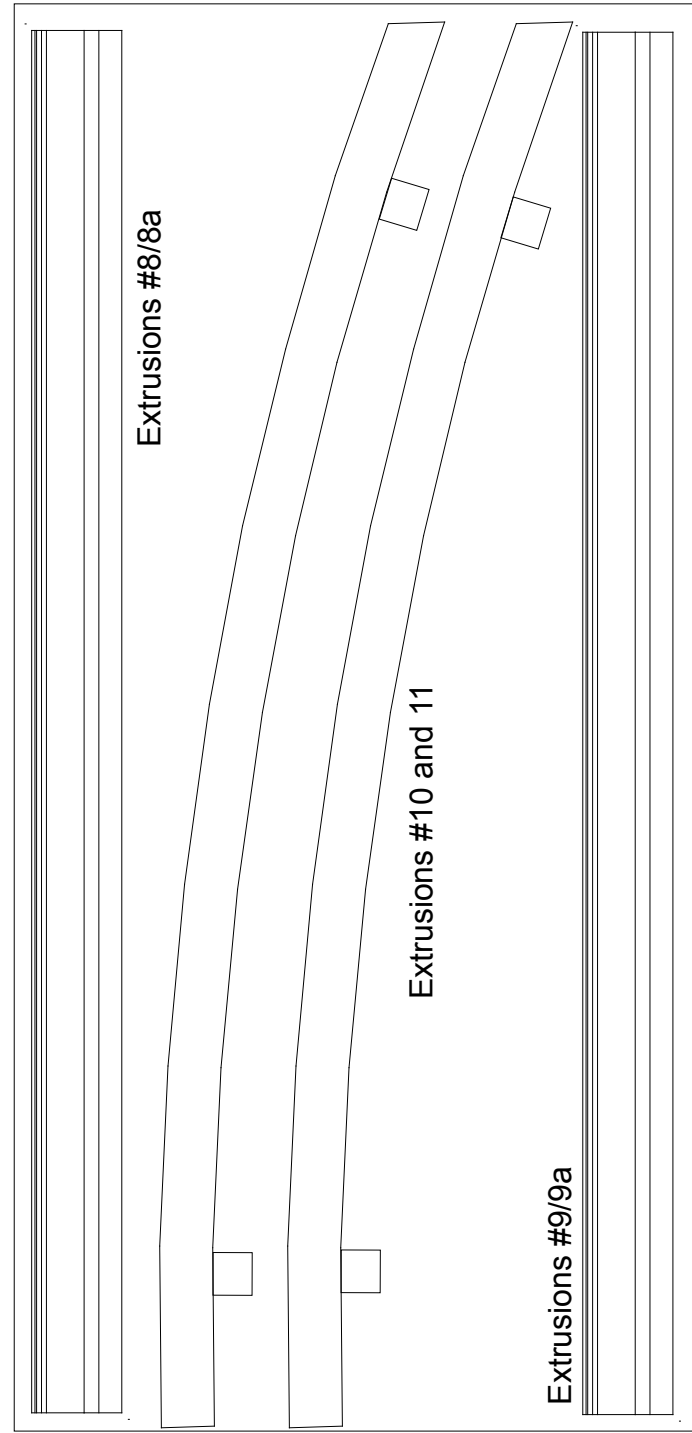
Slip Sheet

WHEN DISASSEMBLING ALUMINUM EXTRUSION, TIGHTEN ALL SETSCREWS AND LOCKS TO PREVENT LOSS DURING SHIPPING

Backwall Components cont'd



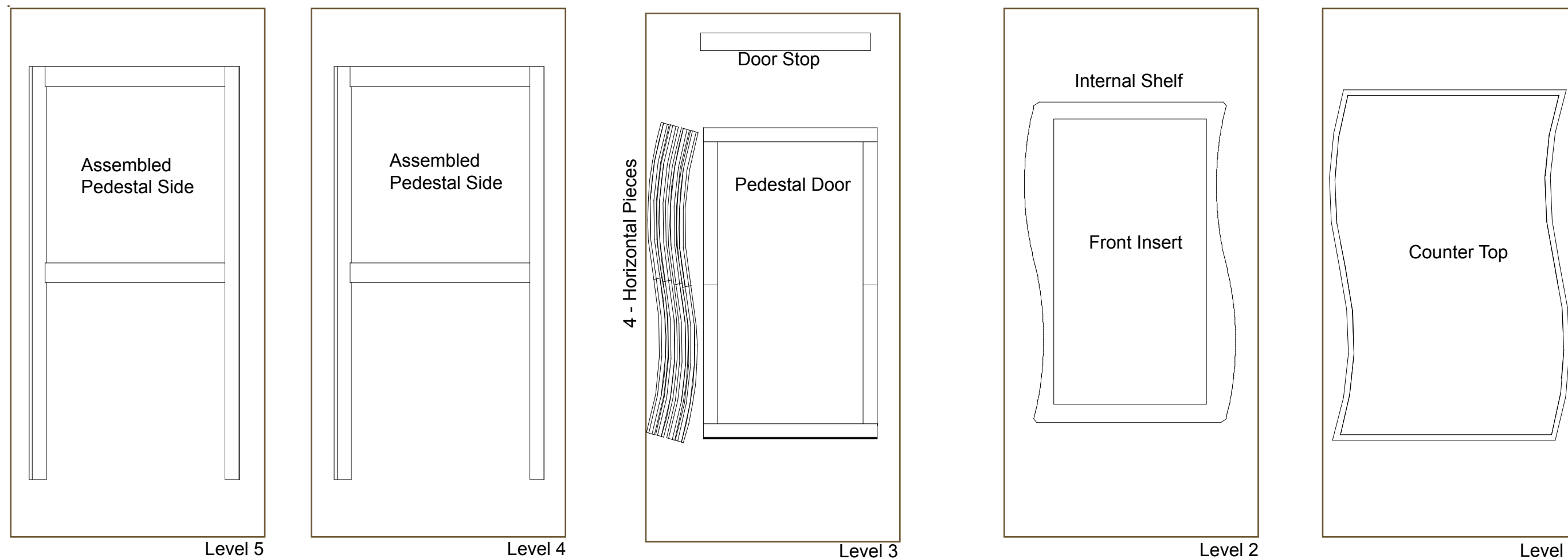
Level 1



Level 2

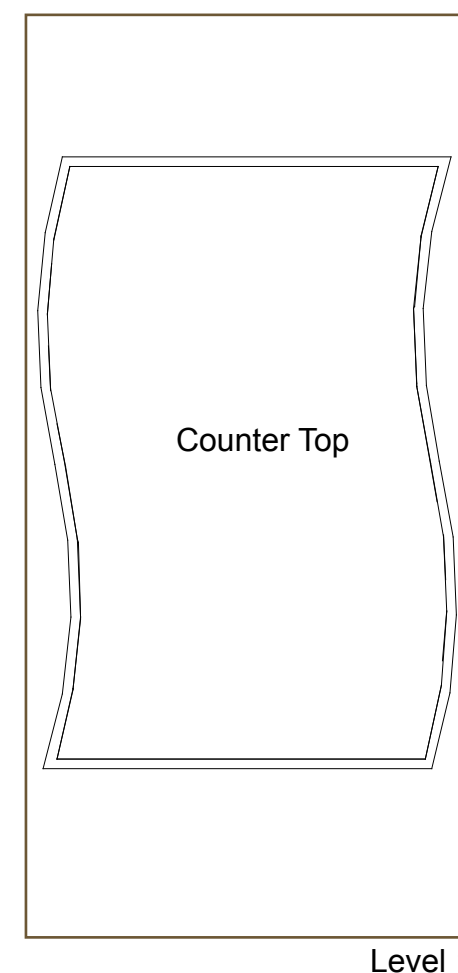
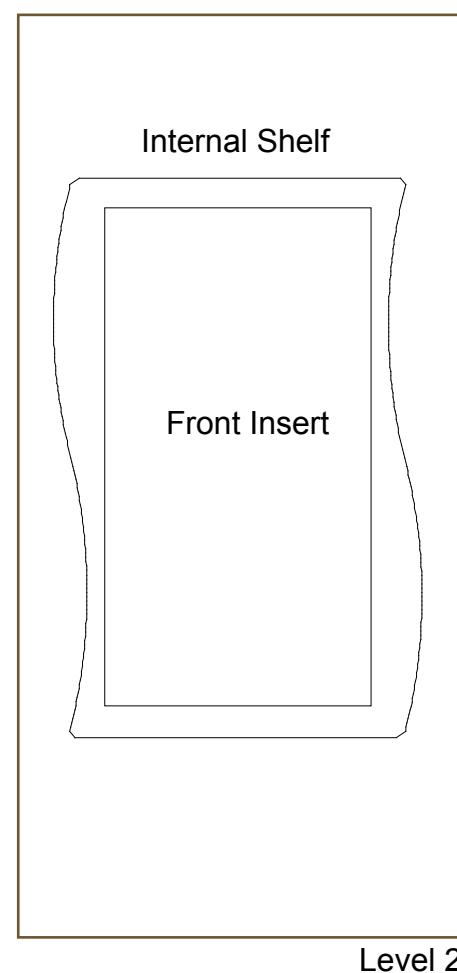
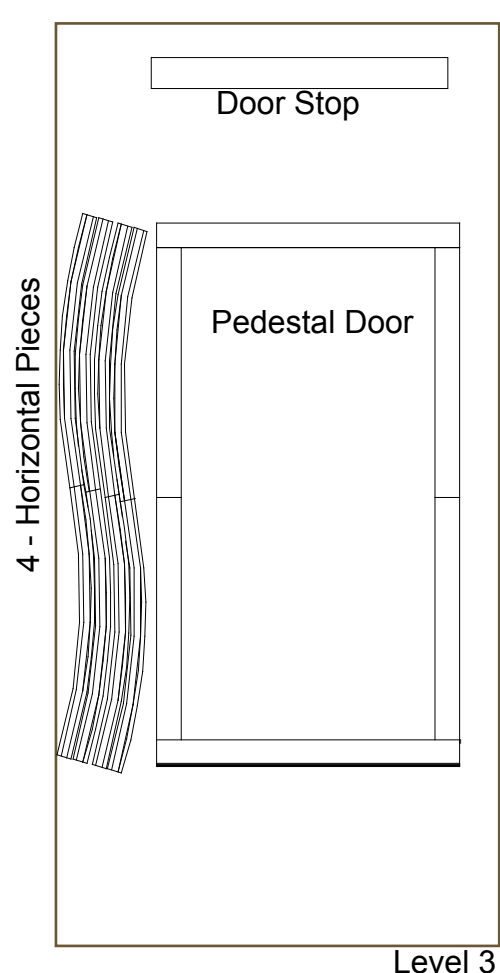
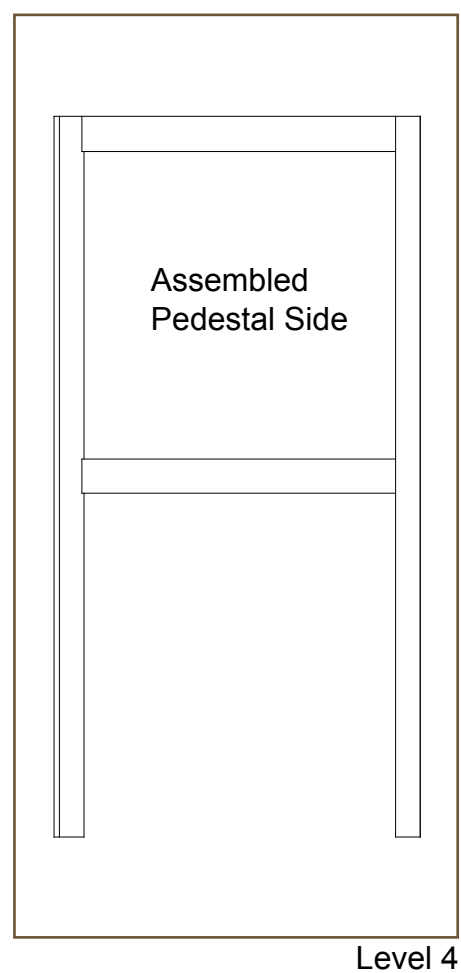
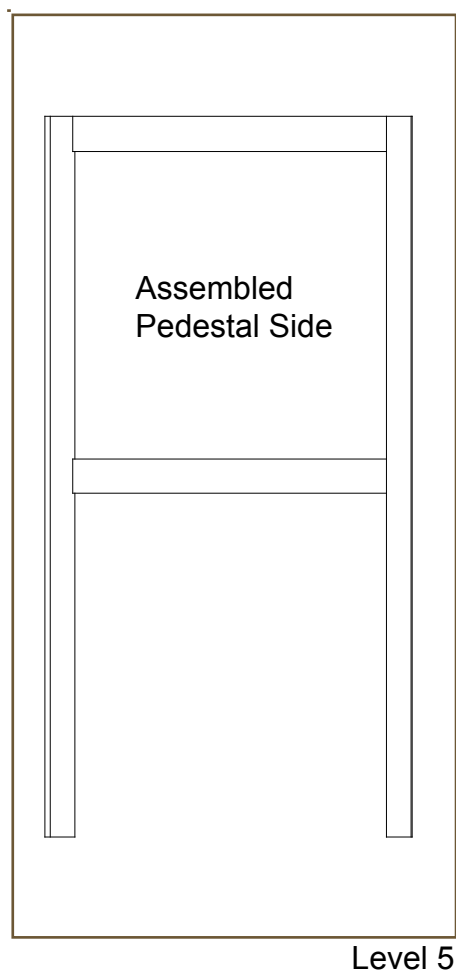
WHEN DISASSEMBLING ALUMINUM EXTRUSION, TIGHTEN ALL SETSCREWS AND LOCKS TO PREVENT LOSS DURING SHIPPING

MOD-1235 Components



WHEN DISASSEMBLING ALUMINUM EXTRUSION, TIGHTEN ALL SETSCREWS AND LOCKS TO PREVENT LOSS DURING SHIPPING

MOD-1235 Components



WHEN DISASSEMBLING ALUMINUM EXTRUSION, TIGHTEN ALL SETSCREWS AND LOCKS TO PREVENT LOSS DURING SHIPPING