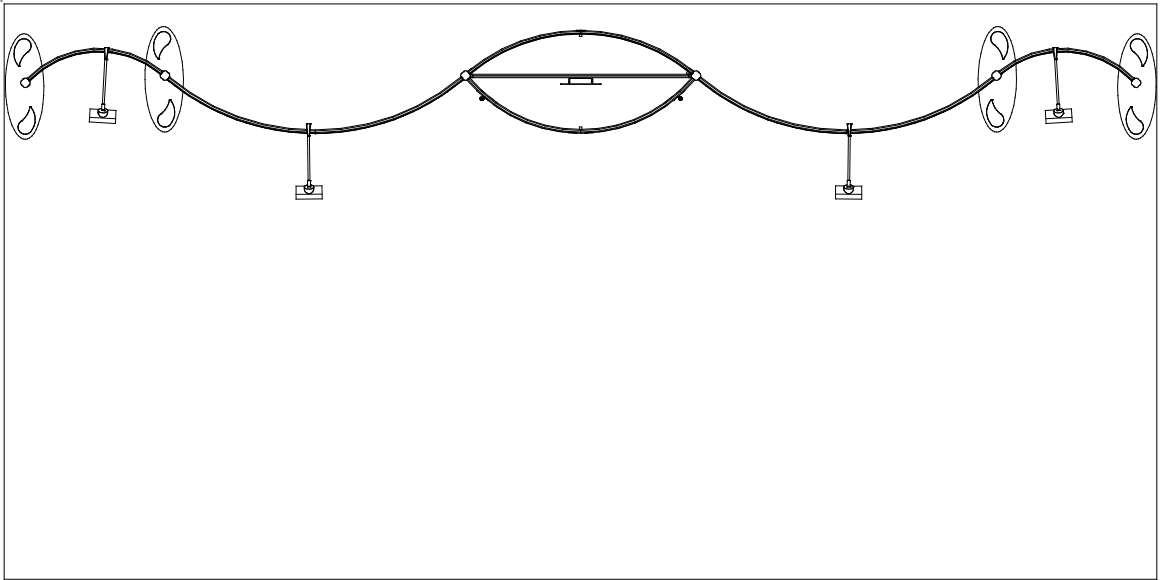


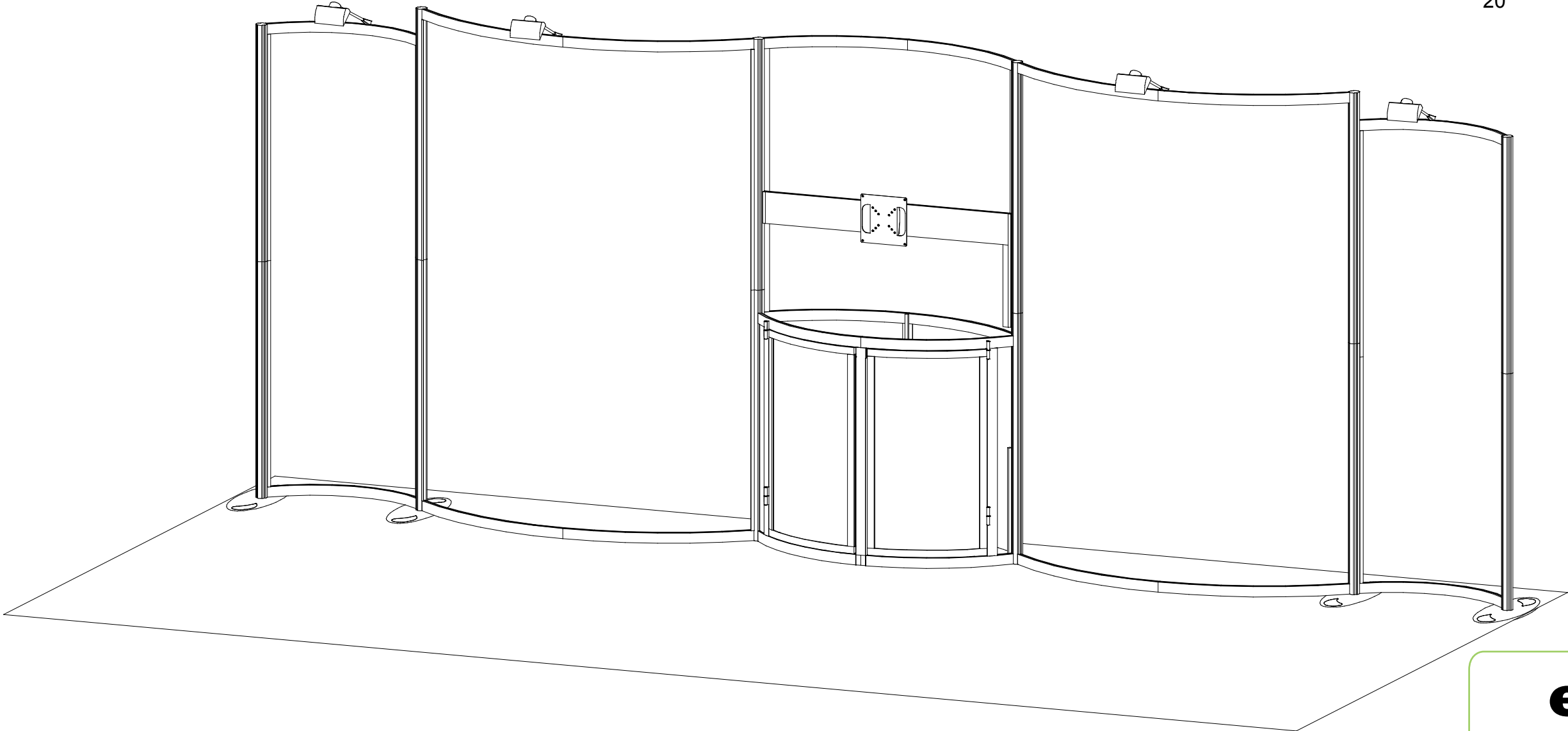
Order #XXXXX - ECO-2069 10'x20' Sustainable Exhibit



20'

10'

Plan View



Setups

## General Setup Instructions

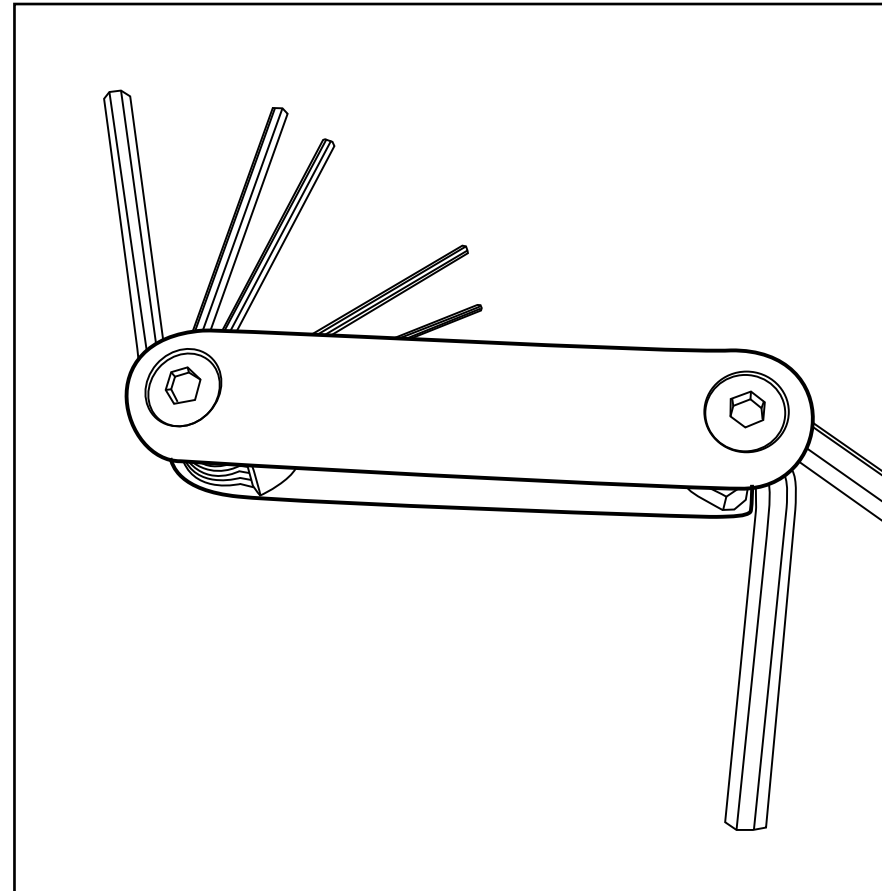
- The setup instructions are created specifically for your configuration.
- Setup instructions are laid out sequentially in levels, including exploded views and a logical series of steps for assembly. We encourage you to study the instructions before attempting to assemble your exhibit.

## Cleaning and Packing

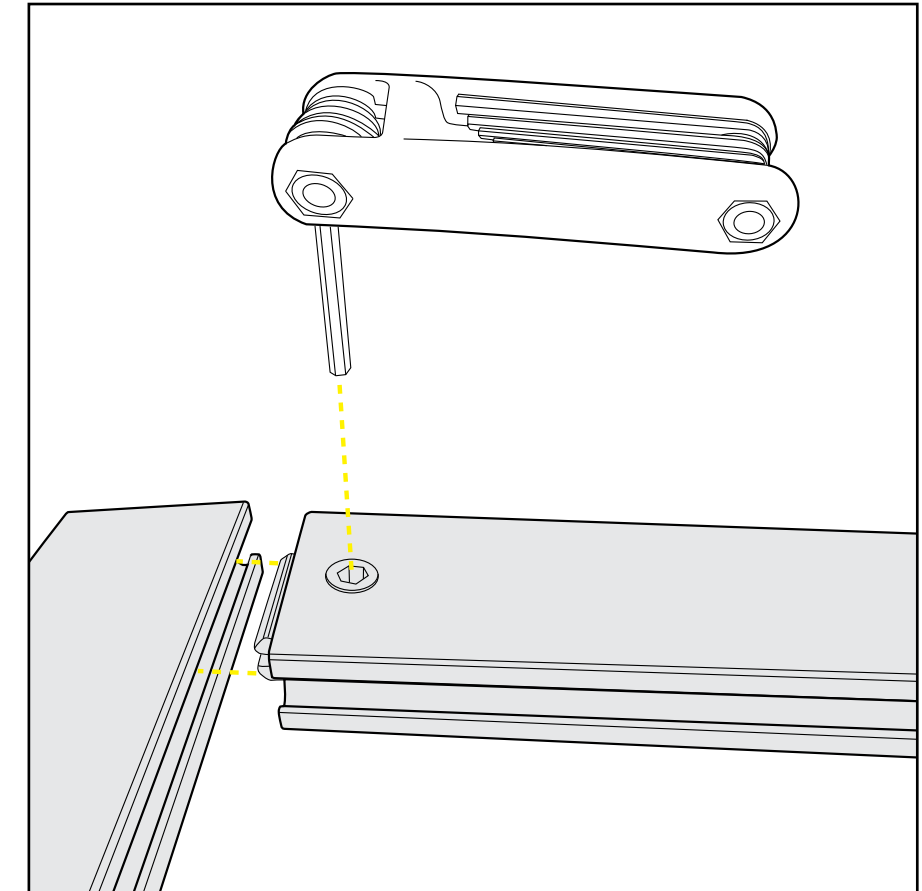
- Use non-abrasive cleaners when cleaning extrusions or ECO Glass inserts.
- Use mild cleaners and soft materials such as cotton to clean all laminates.
- Keep exhibit components away from extreme heat and long exposure to sun light. This will prevent warping and fading.
- Retain all packing material for ease of re-packing. This protects the exhibit components and keeps each part organized.

## Disassembling

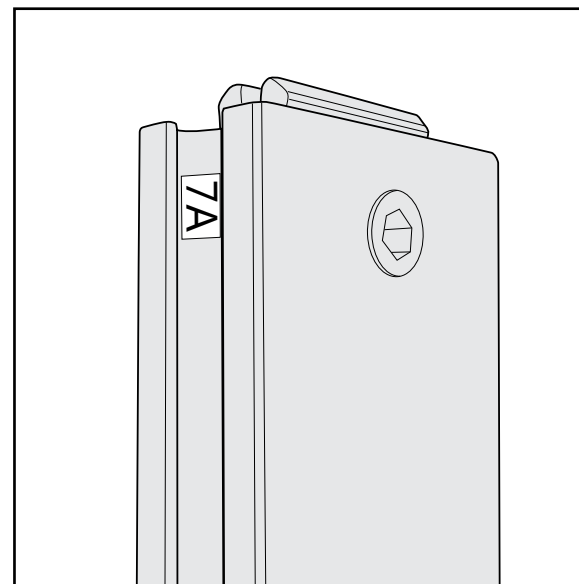
- When disassembling exhibit, tighten all setscrews to prevent loss of hardware in the shipping process.



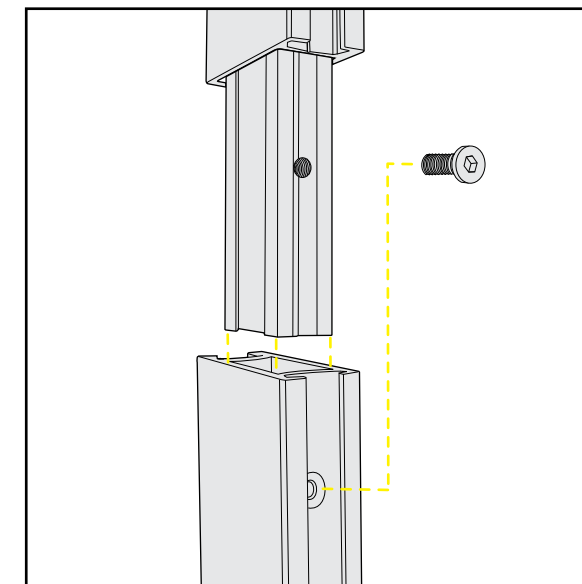
Hex Tool for Assembling Exhibit



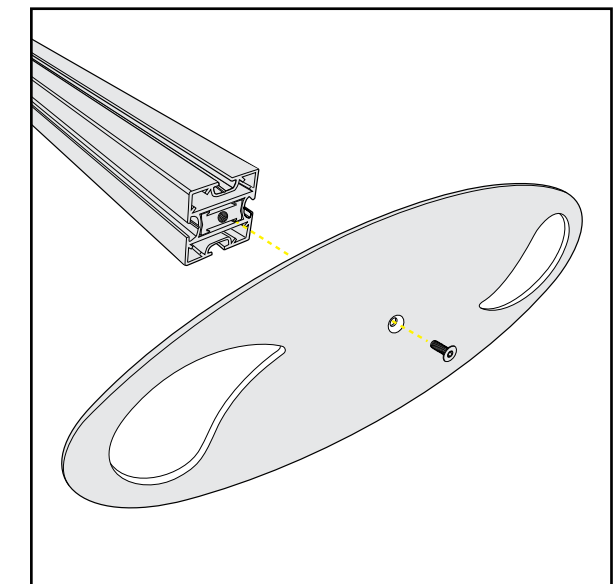
Extrusion Lock Connectors



Numbering Instructions for Setups/Packing

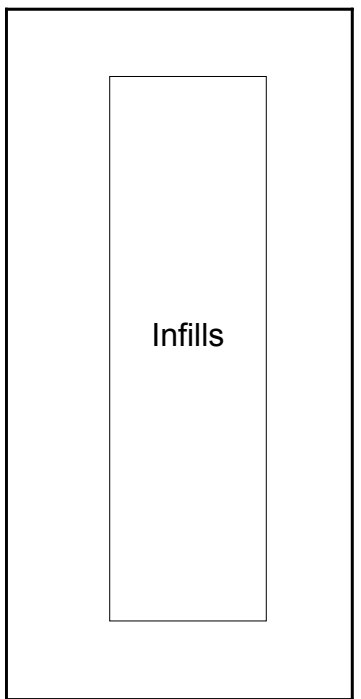


Inline Connection between Extrusions

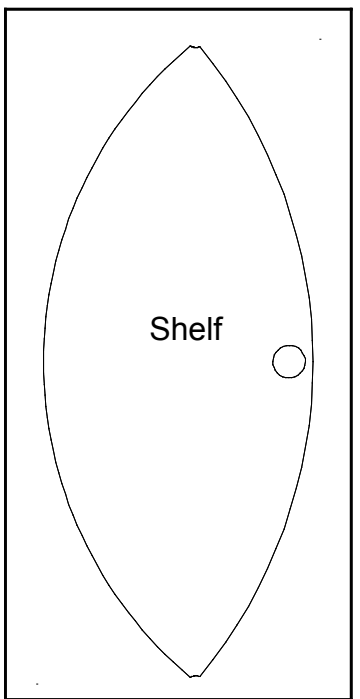


Baseplate Connection for Vertical Extrusions

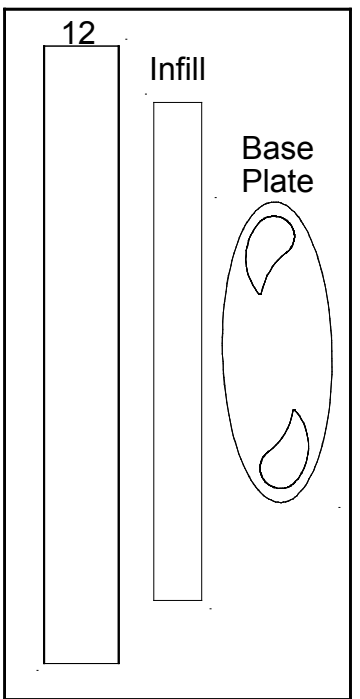
### Top View of Each Level



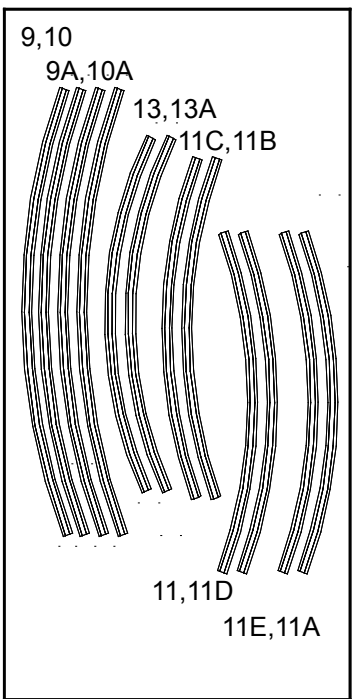
Level 1



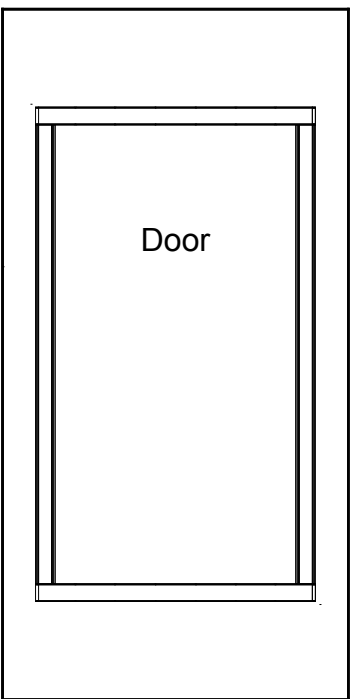
Level 2



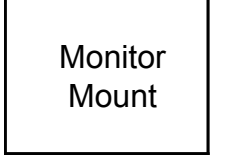
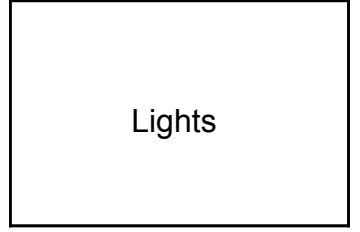
Level 3



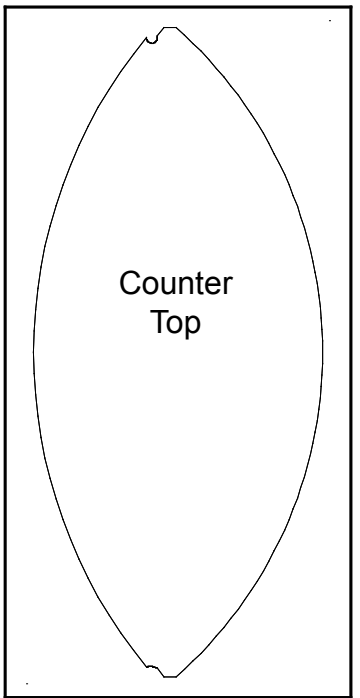
Level 4



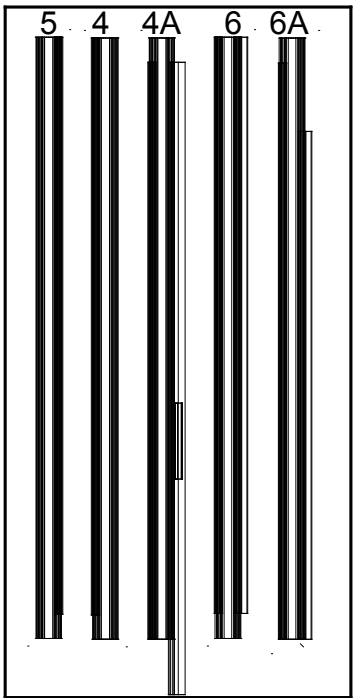
Level 5



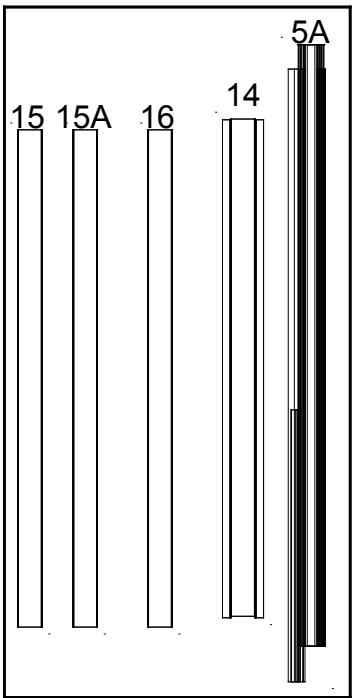
### Top View of Each Level



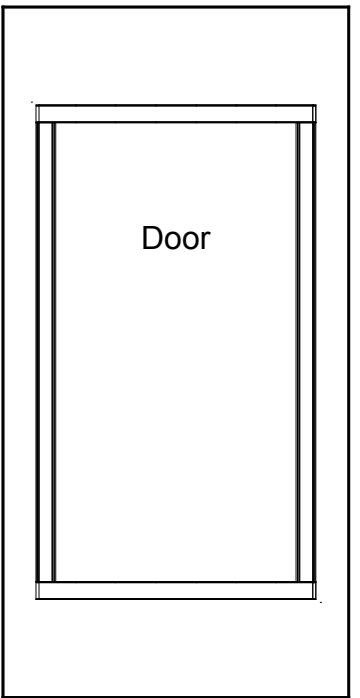
Level 1



Level 2

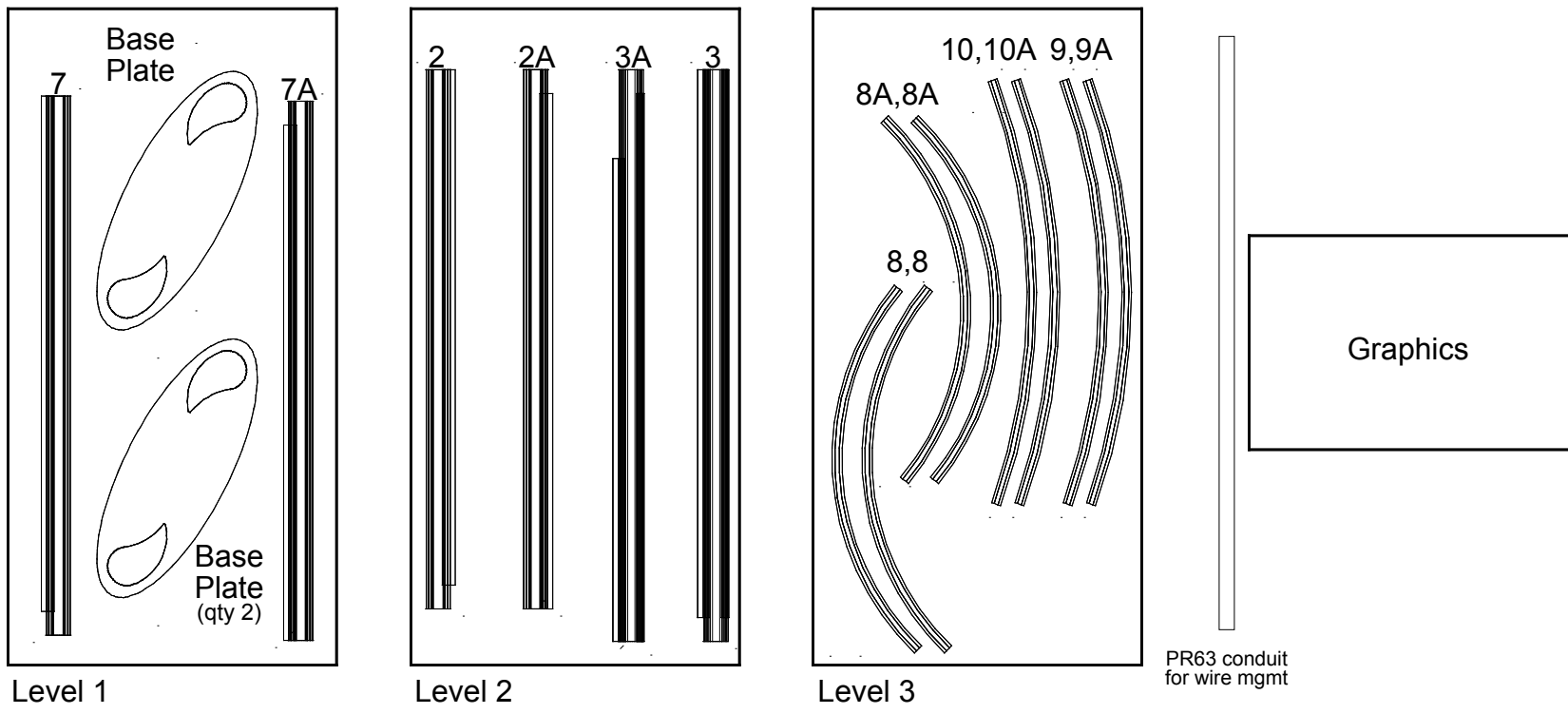


Level 3



Level 4

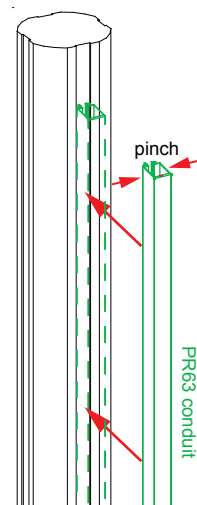
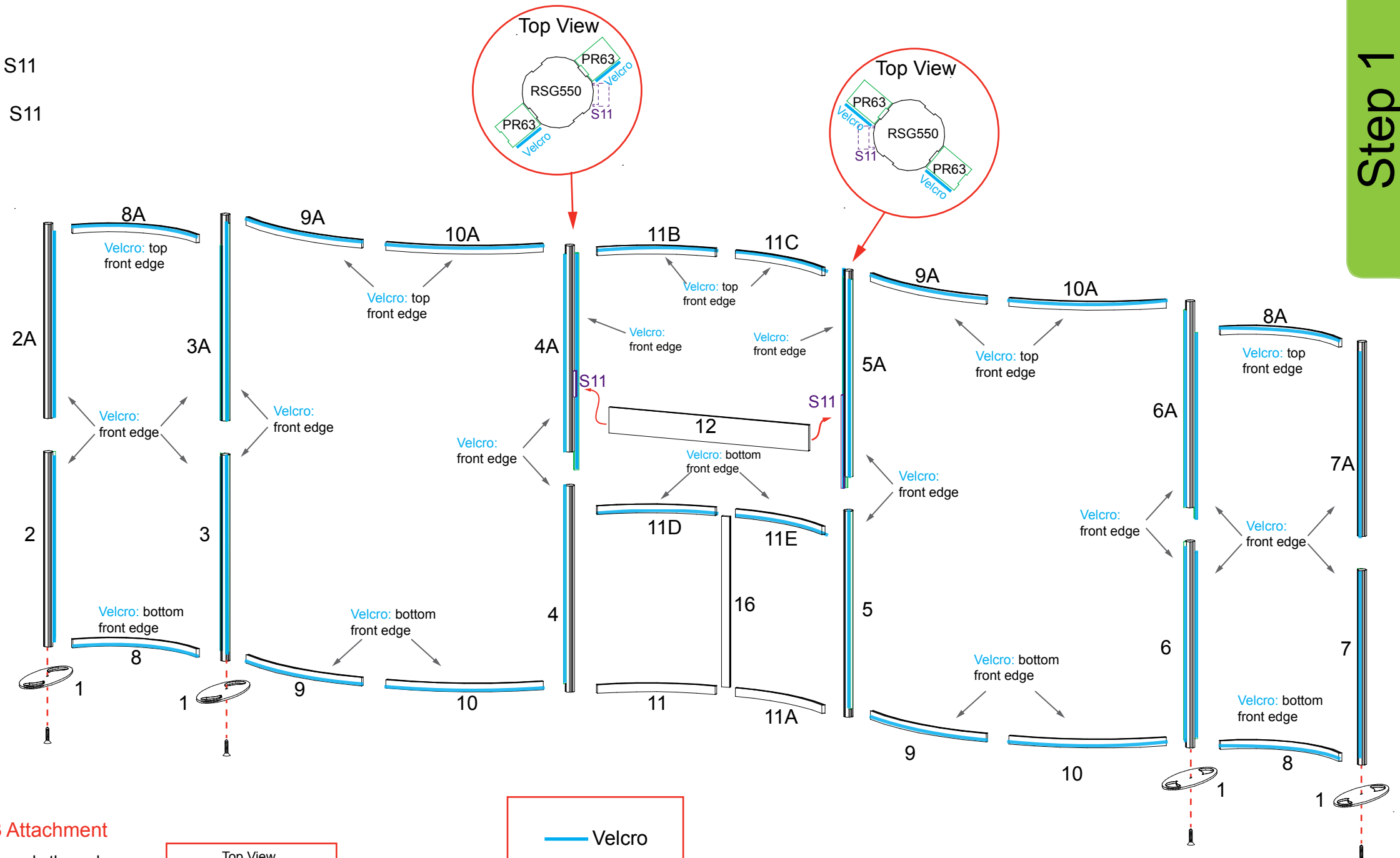
### Top View of Each Level



Item	Qty.	Description
1	4	Base Plate - 22"x8"
2/2A	1/1	41.5"h RSG540 Vertical Extrusion w/ PR63
3/3A	1/1	44"h RSG540 Vertical Extrusion w/ PR63
4	1	44"h RSG540 Vertical Extrusion w/ PR63
4A	1	44"h RSG540 Vertical Extrusion w/ PR63 & S11
5	1	44"h RSG540 Vertical Extrusion w/ PR63
5A	1	44"h RSG540 Vertical Extrusion w/ PR63 & S11
6/6A	1/1	44"h RSG540 Vertical Extrusion w/ PR63
7/7A	1/1	41.5"h RSG540 Vertical Extrusion w/ PR63
8/8A	2/2	31.121" Z45 curved Horizontal Extrusion
9/9A	2/2	33.488" Z45 curved Horizontal Extrusion
10/10A	2/2	33.488" Z45 curved Horizontal Extrusion
11/11A	1/1	25.576" Z45 curved Horizontal Extrusion
11B/11C	1/1	25.576" Z45 curved Horizontal Extrusion
11D/11E	1/1	25.576" Z45 curved Horizontal Extrusion
12	1	45.065"w Z140 Horizontal Extrusion
16	1	36.417"h Z45 Vertical Extrusion

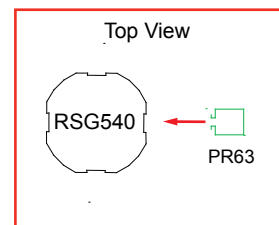
Steps:

- 1) Install Base Plates [1] to bottom of verticals [2,3,6,7].
- 2) Connect verticals [2-2A], [3-3A], [4-4A], [5-5A], [6-6A], [7-7A] together.
- 3) Assemble horizontals [9-10], [9A-10A], [11-11A], [11B-11C], [11D-11E] together.
- 4) Attach horizontals [8,8A,9/10,9A/10A,11/11A,11B/11C] between vertical assemblies as shown.
- 5) Connect horizontal [12] to S11 attached to verticals [4/4A] & [5/5A].
- 6) Attach vertical [16] to lower horizontals [11/11A]; then attach horizontal [11D/11E] between verticals [4,5].
- 7) Apply fabric graphics to Velcro on extrusions as shown.



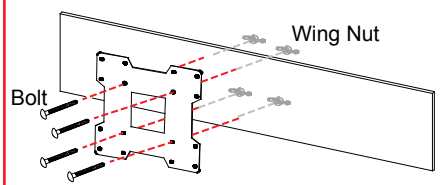
PR63 Attachment

- 1) Run cords through PR63 plastic conduit.
- 2) Attach conduit where indicated by pinching the opening and inserting into the groove of extrusion.



Item	Qty.	Description
13,13A	1,1	27.005" Z45 curved Horizontal Extrusion
13B,13C	1,1	27.005" Z45 curved Horizontal Extrusion
14	1	36.417"h Z45 Vertical Extrusion w/ Door Stops
15/15A	1/1	36.417"h Z45 Vertical Extrusion w/ Door Hinge

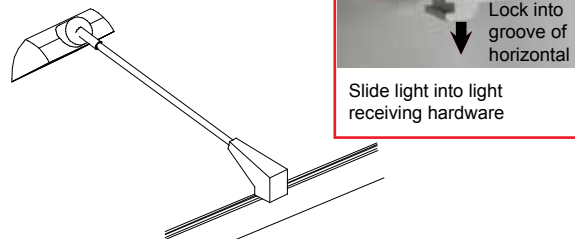
**\* Monitor Mount Attachment**



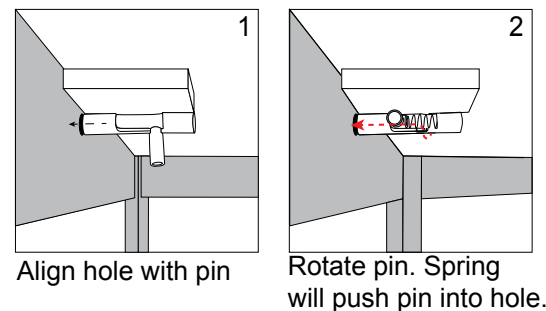
Attach monitor mount to horizontal extrusion using bolts and wing nuts.

**\* Light Attachment**

Lock Clip into Groove of Horizontal Extrusion, then slide Light onto Clip.

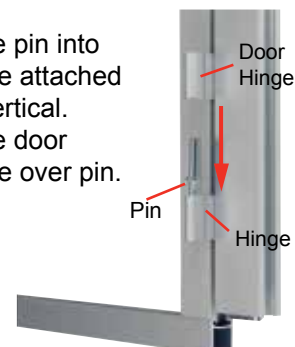


**Counter Top Attachment**



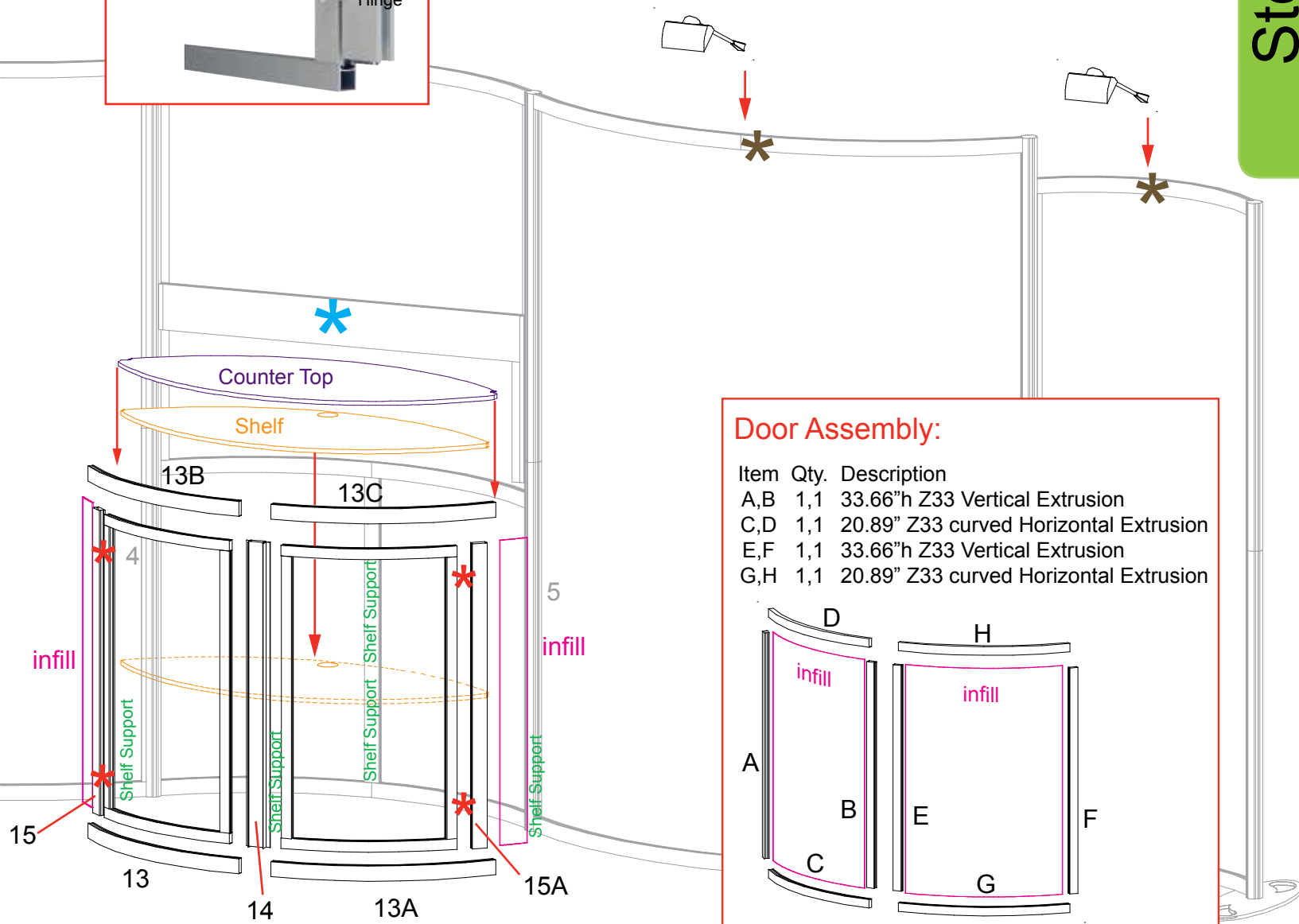
**\* Door Attachment**

Slide pin into hinge attached to vertical. Slide door hinge over pin.



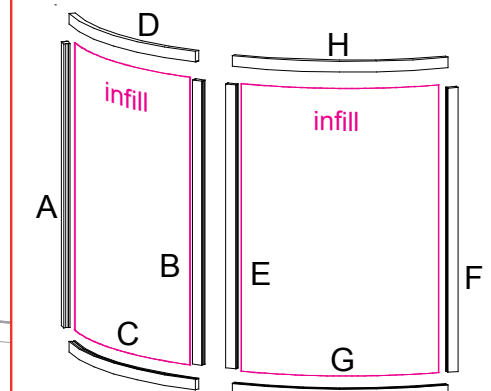
**Steps:**

- 1) Connect horizontals [13-13A] & [13B-13C] together.
- 2) Attach lower horizontal assembly [13/13A] between backwall verticals [4,5].
- 3) Connect verticals [14,15,15A] to lower horizontal assembly [13/13A]
- 4) Slide **infills** between vertical [15] & backwall vertical [4], and between vertical [15A] & backwall vertical [5].
- 5) Attach horizontal assembly [13B/13C] between backwall verticals [4,5] and atop verticals [14,15,15A], securing **infills**.
- 6) Install Doors between verticals [14,15] & [14,15A]. See **Door Attachment** detail.
- 7) Attach **shelf supports** to inside of cabinet assembly; place internal **Shelf**.
- 8) Attach **shelf support** & place **Counter Top** on top of cabinet assembly.
- 7) Connect Monitor Mount to horizontal [12]. See **Monitor Mount Attachment** detail.
- 8) Install Lights to top of backwall. See **Light Attachment** detail.



**Door Assembly:**

Item	Qty.	Description
A,B	1,1	33.66"h Z33 Vertical Extrusion
C,D	1,1	20.89" Z33 curved Horizontal Extrusion
E,F	1,1	33.66"h Z33 Vertical Extrusion
G,H	1,1	20.89" Z33 curved Horizontal Extrusion



Connect verticals to lower horizontals; a slide infill between verticals & secure with upper horizontals.

