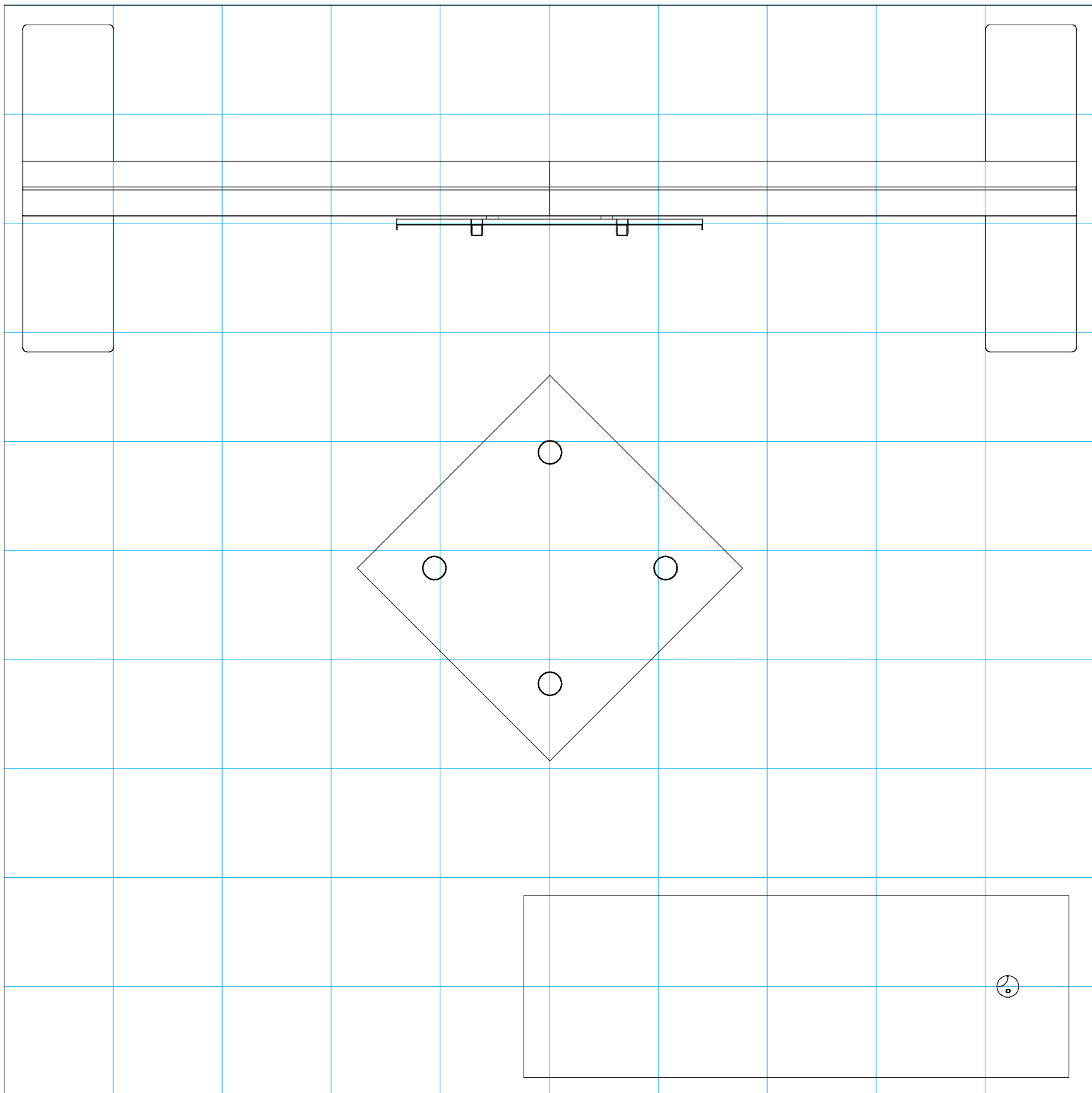


SETUP INSTRUCTIONS



= 1 sq foot

General Setup Instructions

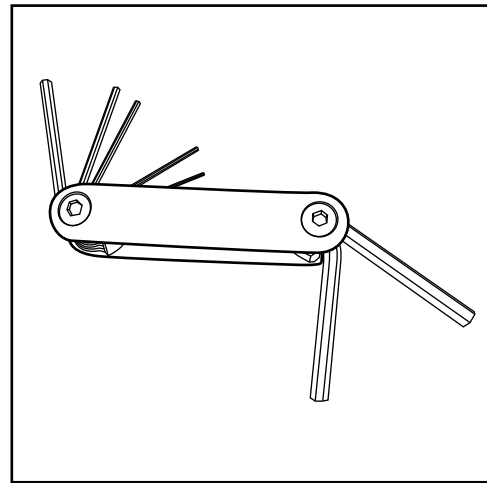
- Read entire setup instruction manual prior to unpacking parts and pieces.
- The setup instructions are created specifically for this configuration.
- Setup instructions are laid out sequentially in steps, including exploded views with detailed explanation for assembly.

Cleaning & Packing

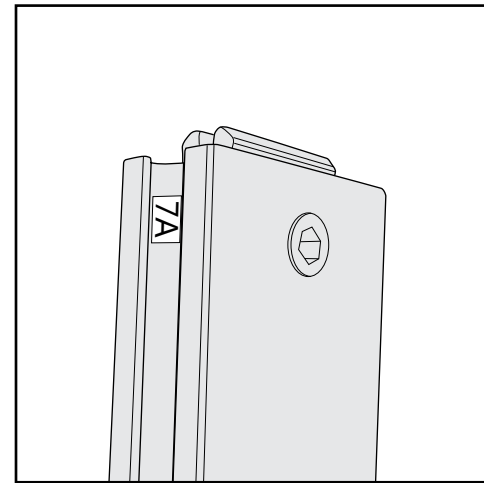
- For Cleaning Metal, Plex, & Laminate Parts: Use a **MILD NON-ABRASIVE** cleanser and soft cloth/paper towel to clean all surfaces.
- Keep exhibit components away from heat and prolonged sun exposure.
Heat and UV exposure will warp and fade components.
- Retain all provided Packing Materials. All provided packing materials are for ease of repacking & component protection.

Disassembly

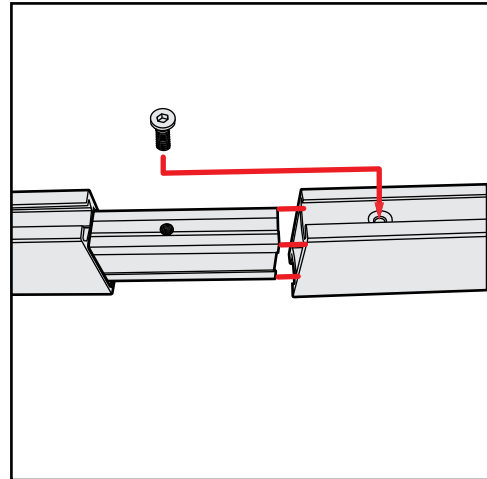
- For loss prevention, tighten all set screws and locks during disassembly.



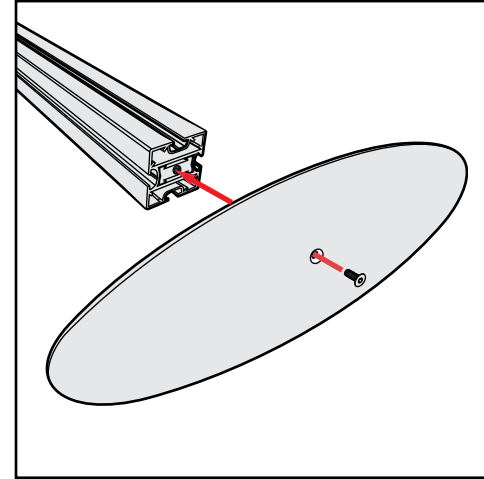
Hex Tool - Essential for Assembly



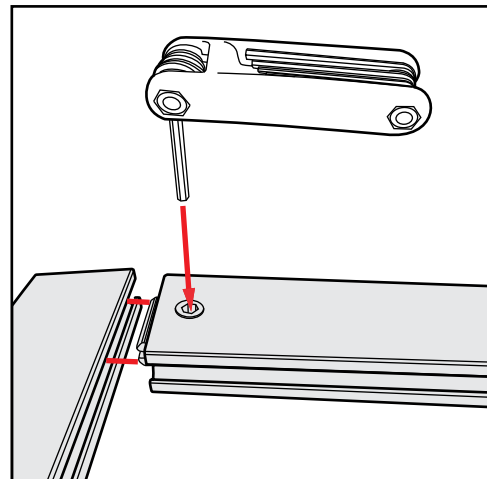
Part Identification - Numbering



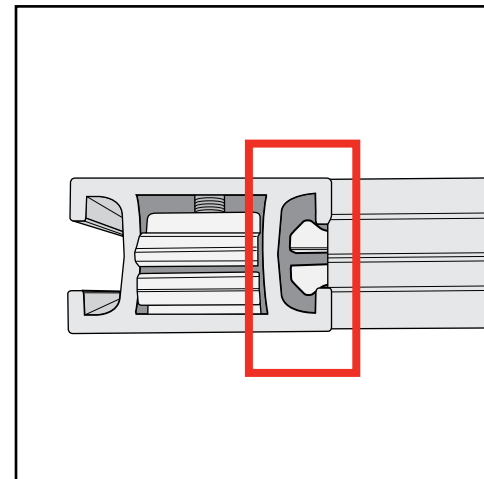
Spline Connection



Base Plate & Extrusion Connection



Extrusion & Lock Connection



Engaged Lock



WARNING



DO NOT USE POWER TOOLS



LADDERS OR LIFTS
MAY BE REQUIRED

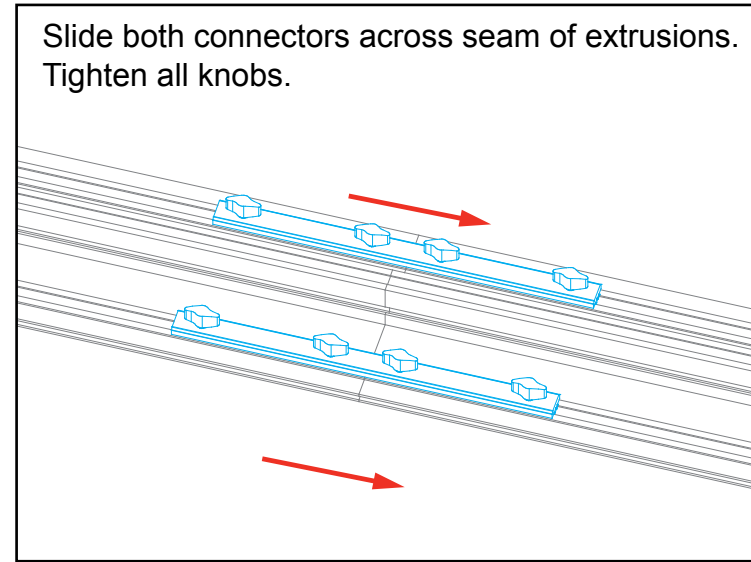
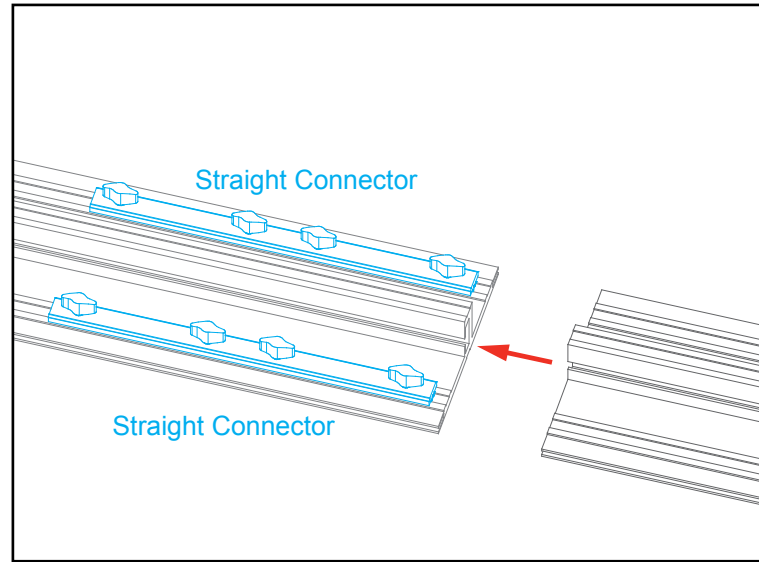


ALL CONNECTIONS MUST
BE TIGHTLY SECURED

Straight Connection

When assembling frame, first attach all **straight connectors**, then attach **corner connectors**.

- 1) Place extrusions end-to-end.
- 2) Loosen all knobs, then slide **straight connectors** across the seam of extrusions.
- 3) Tighten all knobs to secure connection.



All knobs must be tightened securely to ensure a proper connection.

Disassembly

- 1) Loosen all knobs.
- 2) Slide connectors off of one extrusion.
- 3) Tighten knobs to prevent loss during packing & shipping.

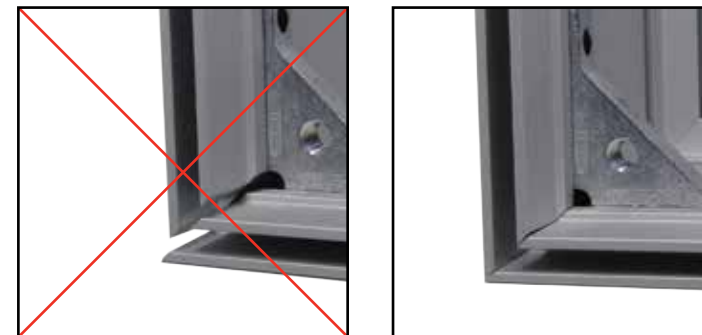
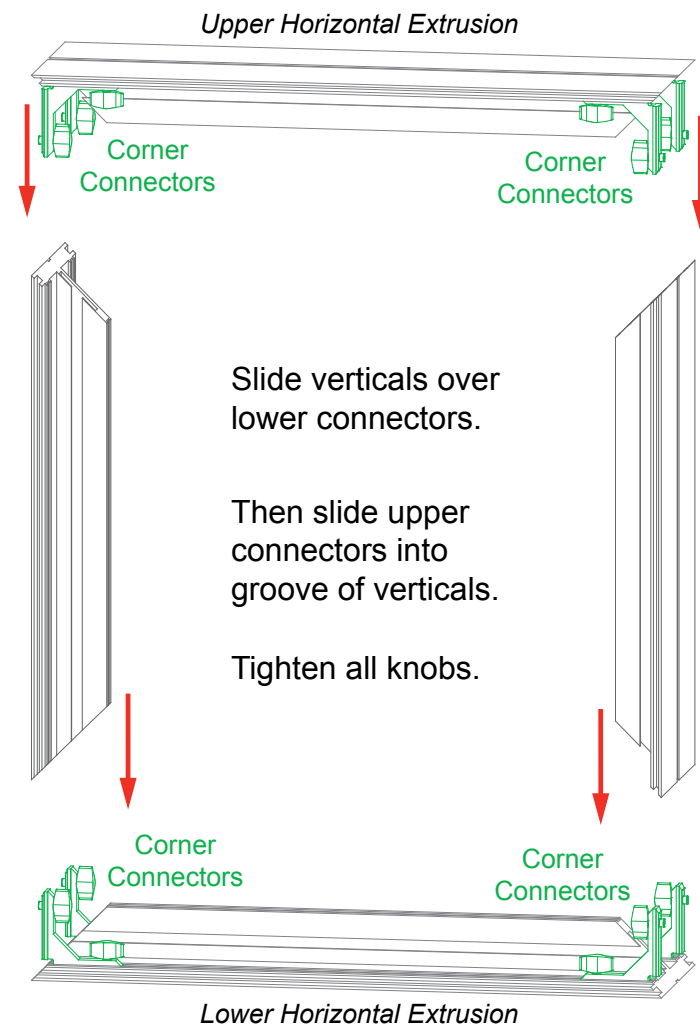
Keep straight connectors in groove of extrusion. Do not remove connectors during disassembly.

Corner Connection

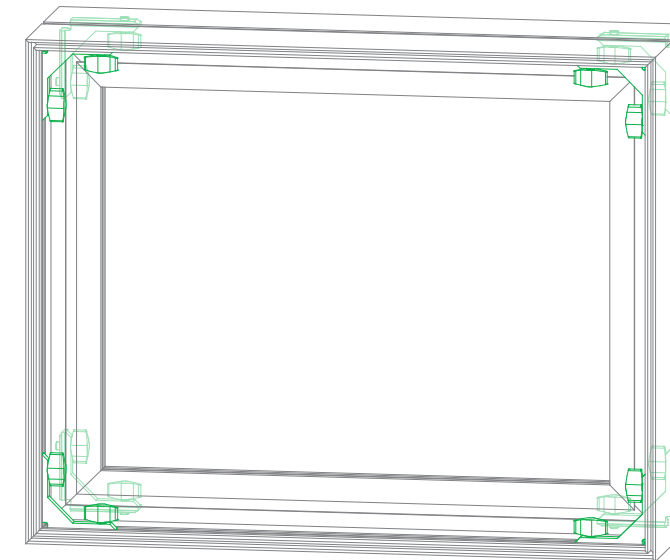
- 1) Loosen knobs, then slide vertical extrusions onto **corner connectors** of **lower** horizontal extrusion.
- 2) Slide **corner connectors** of **upper** horizontal extrusion into grooves of vertical extrusions.
- 3) Tighten all knobs to secure connection.

Disassembly

- 1) Loosen knobs on vertical extrusions.
- 2) Slide the vertical extrusions off of **corner connectors** on lower and upper horizontal extrusions.

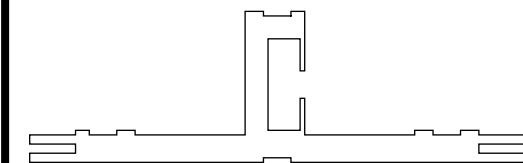


Adjust connectors if necessary to prevent gaps in connection.



COMPLETED ASSEMBLY

All knobs must be tightened securely to ensure a proper connection.

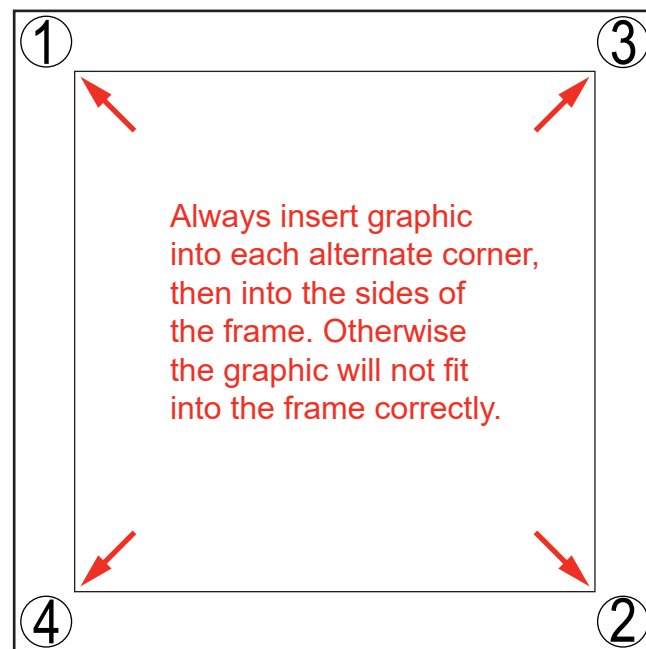


CEI152 Profile

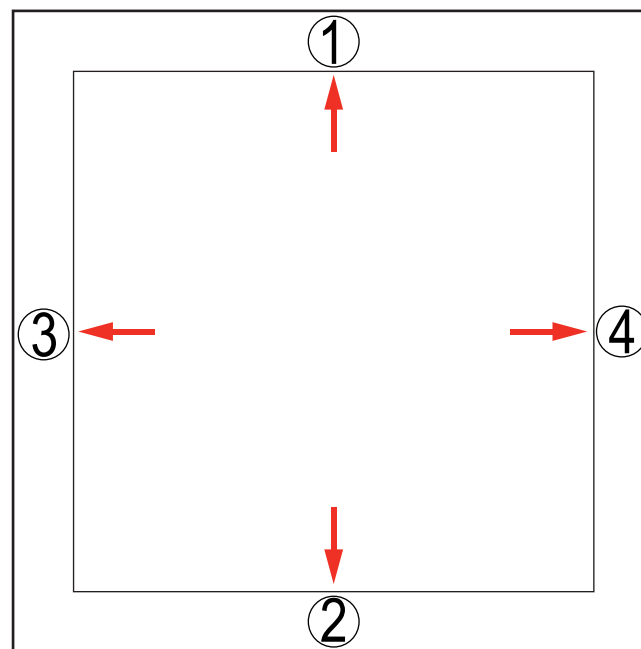
The Perfect Fit

SEG Graphic Installation *in 3 Steps*

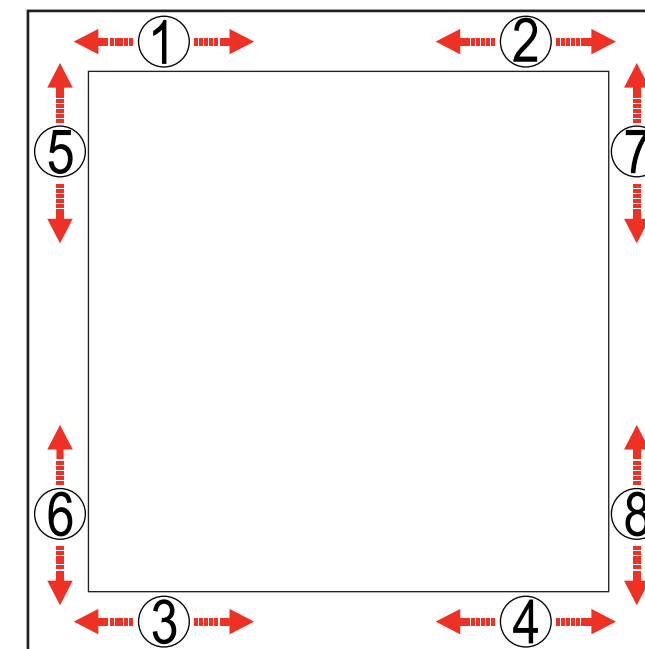
STEP 1: Attach Corners



STEP 2: Attach Middle



STEP 3: Attach Sides



Insert narrow side of silicone welt into the channel at corner 1, with fabric to the outside.

Repeat for opposite corner 2, then corner 3, then corner 4.

Once corners are attached, press the middle of edge 1 into the channel. Then press middle of edge 2 into the channel on opposite side.

Repeat with edge 3 & 4.

Once the middle of sides are attached, fully press the silicone welt into the channel, between center and corner at location 1. Repeat the process between center and corner at location 2.

Do the same for welt on opposite side, at locations 3 & 4. Then repeat for locations 5 & 6 and 7 & 8.

Once the welt is fully inserted on all sides, smooth out edges as needed for a perfect fit.



To remove the graphic from the frame, locate the fabric **pull tab**. Gently pull on the tab to remove the graphic.

Install video:



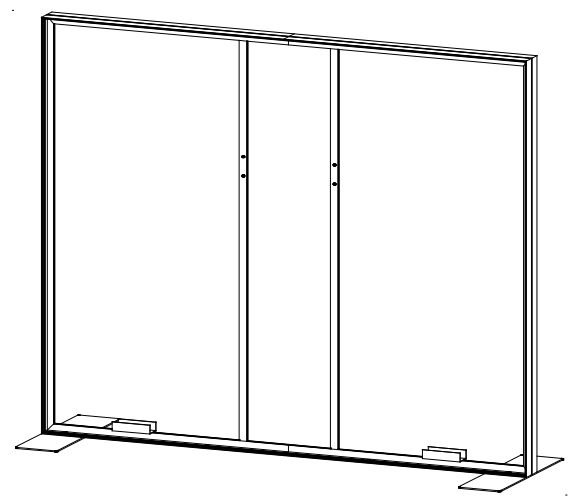
CRATE PACKING

Item	Qty.	Description
1	1	94" h CEI152 Vertical Extrusion
2	1	94" h CEI152 Vertical Extrusion
3	1	58" w CEI152 Horizontal Extrusion
4	1	58" w CEI152 Horizontal Extrusion
5	1	58" w CEI152 Horizontal Extrusion
6	1	58" w CEI152 Horizontal Extrusion
7	1	90.353" h Z45 Vertical Extrusion
8	1	90.353" h Z45 Vertical Extrusion
9	1	SF19 10" x 36" Base Plate
10	1	SF19 10" x 36" Base Plate
--	2	9" U-Channel

Steps:

Refer to the CEI152 Frame Assembly general information page.

- 1) Connect U-Channels to lower horizontals. See [U-Channel Attachment](#) detail.
- 2) Assemble horizontals [3-4], [5-6] together using straight connectors.
- 3) Attach verticals [1,2] between horizontal assemblies [3/4], [5/6] using corner connectors.
- 4) Connect verticals [7,8] between horizontal assemblies.
- 5) Attach Base Plates [9,10] to lower horizontals using bolts and wing nuts.
- 6) Connect power cords to Supernova lights as shown. Place transformers into U-channels.



When assembled

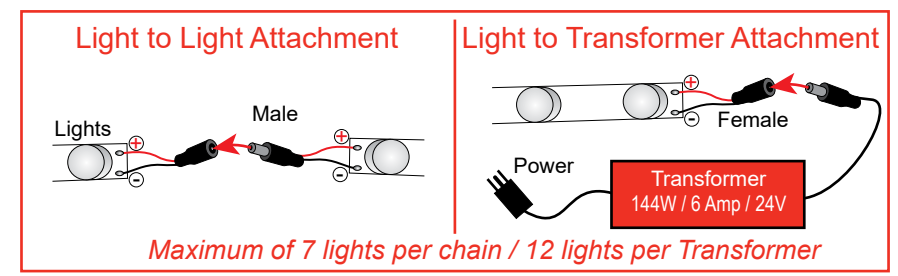
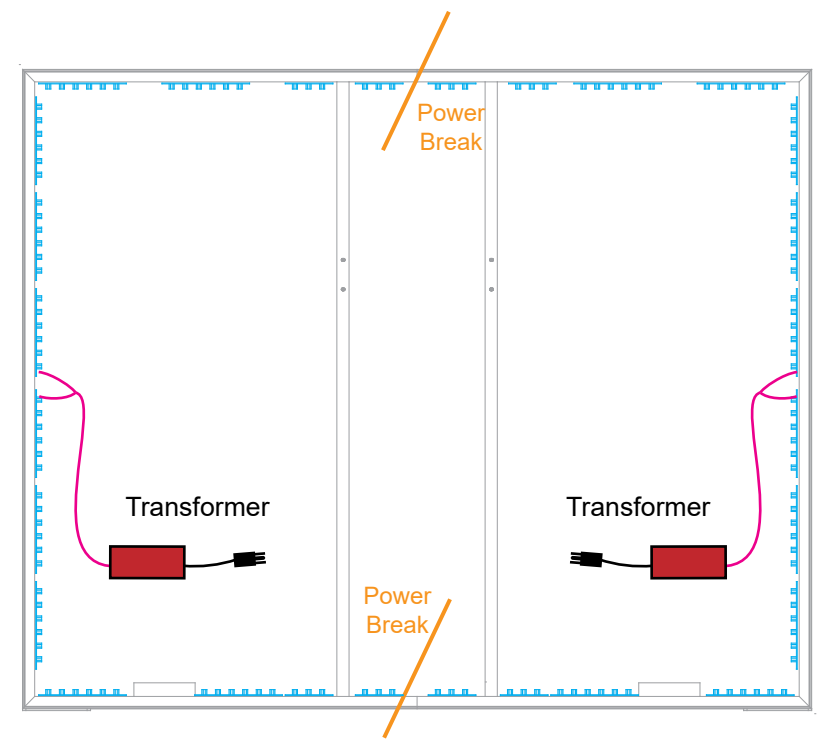
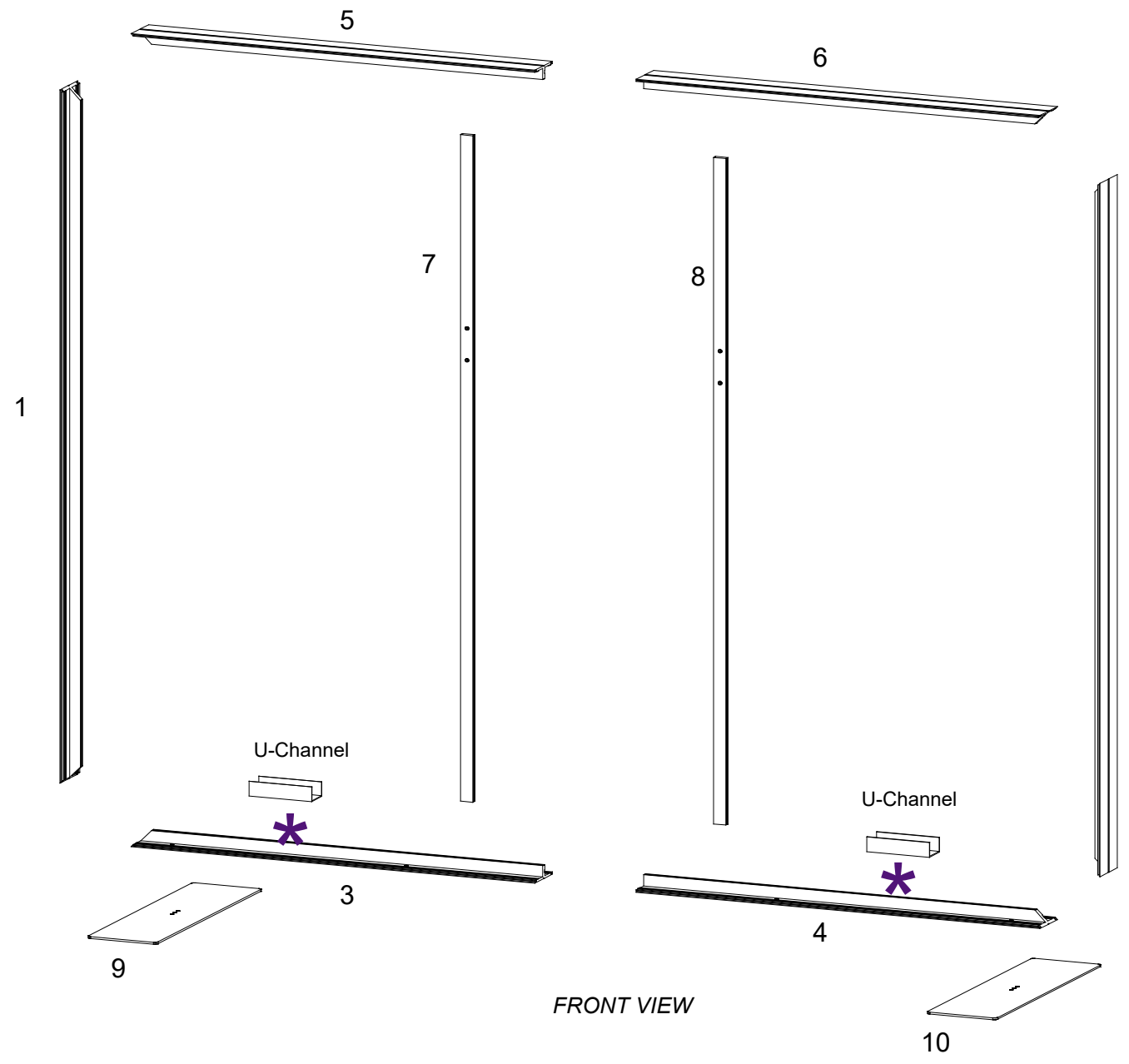
Assemble frame flat on ground.

*** U-Channel Attachment**

Slide V4 connectors into top groove of horizontal extrusion. Tighten set-screws to secure.

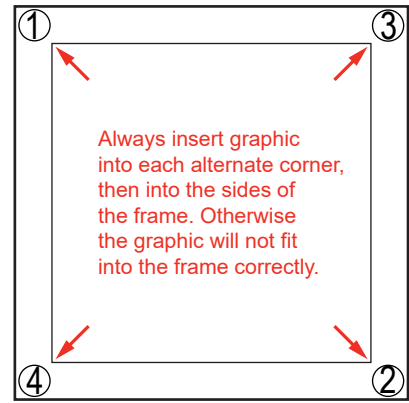
Use bolts to connect U-Channel to horizontal.

V4 connector set screws



SEG Graphic Installation

STEP 1: Attach Corners

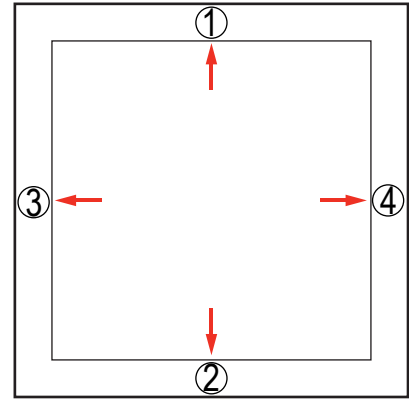


Insert narrow side of silicone welt into the channel at corner 1, with fabric to the outside.

Repeat for opposite corner 2, then corner 3, then corner 4.



STEP 2: Attach Middle

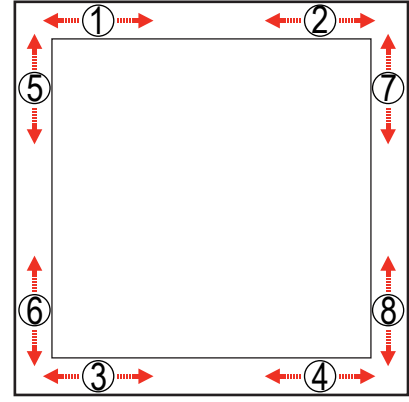


Once corners are attached, press the middle of edge 1 into the channel. Then press middle of edge 2 into the channel on opposite side.

Repeat with edge 3 & 4.

Once the middle of sides are attached, fully press the silicone welt into the channel, between center and corner at location 1. Repeat the process between center and corner at location 2.

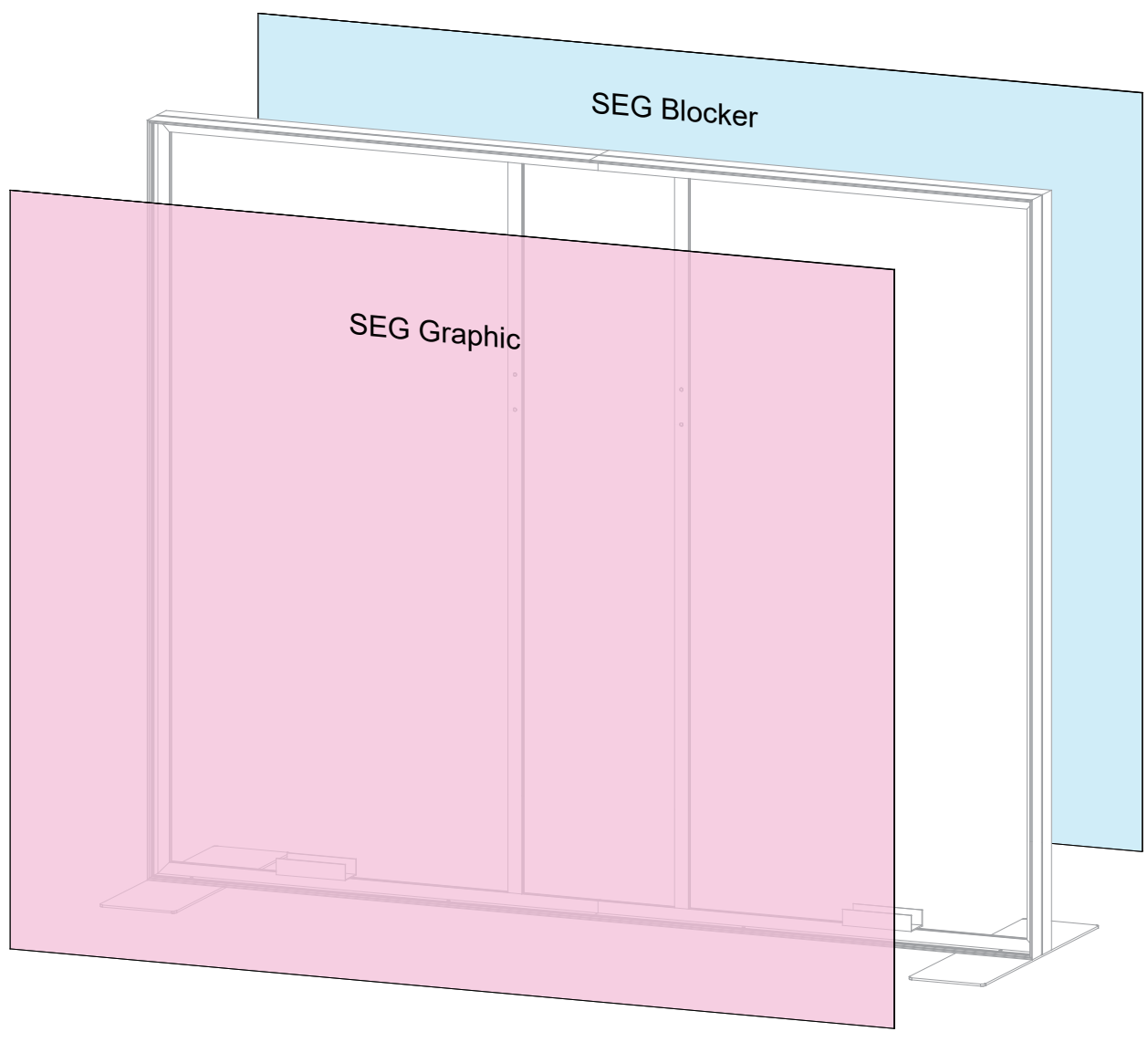
STEP 3: Attach Sides



Do the same for welt on opposite side, at locations 3 & 4. Then repeat for locations 5 & 6 and 7 & 8.

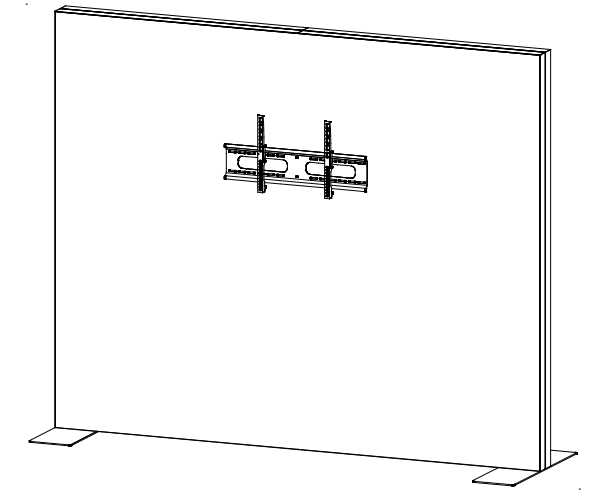


Steps:
1) Apply SEG Graphics & Blockers to lightbox assembly.



FRONT VIEW

Steps:
1) Install Monitor Mount to verticals [7,8] as shown.
See **Monitor Mount Attachment** detail.



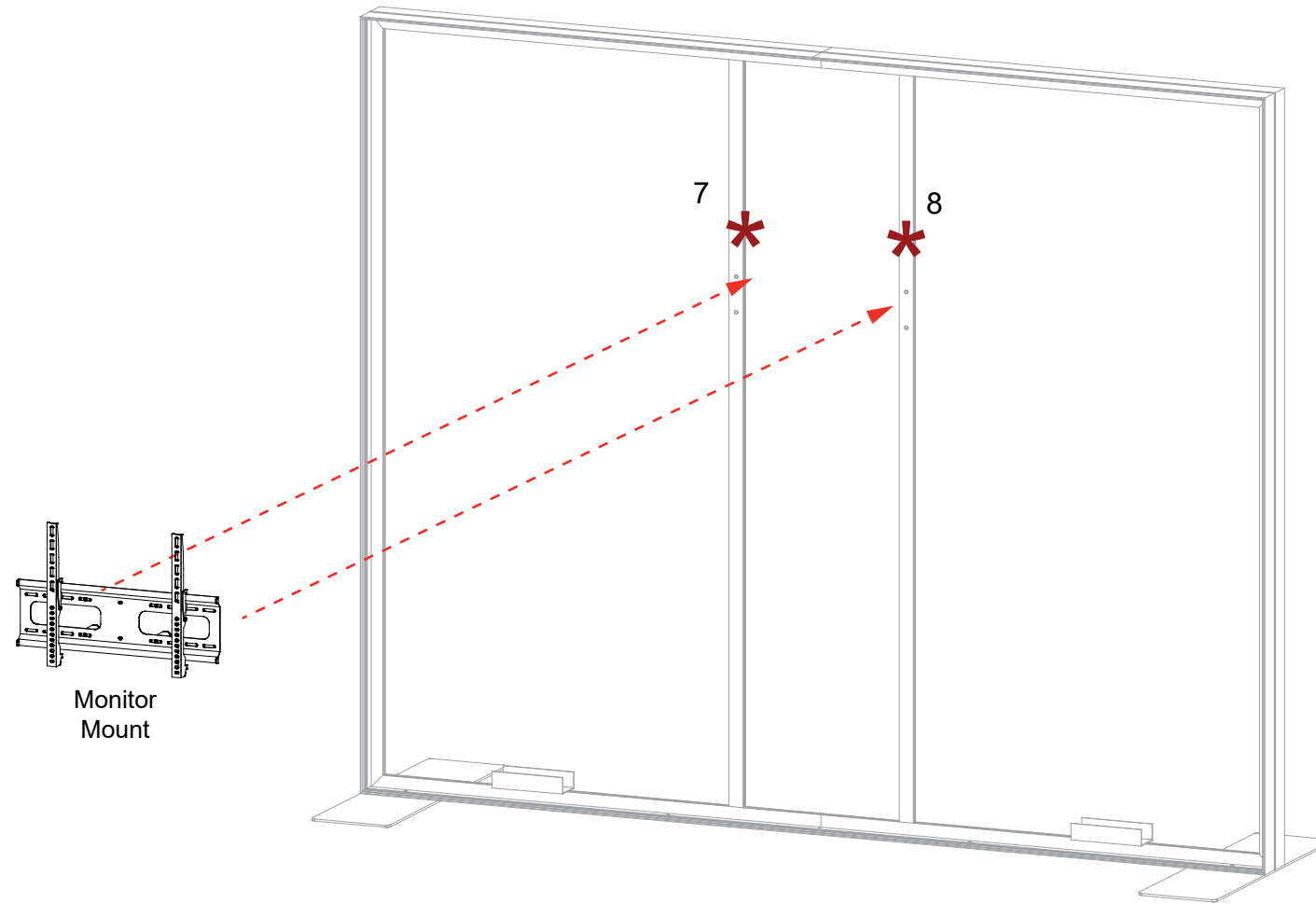
Completed Assembly

*** Monitor Mount Attachment**
Attach Stand-off barrels to Z45 extrusions using bolts.

A detailed diagram showing a monitor mount being attached to a backwall. The backwall has two vertical Z45 extrusions. Three 3-inch stand-off barrels are being inserted into the extrusions. Bolts are used to secure the monitor mount to these barrels. The backwall is labeled 'SEG Graphic'. Labels include '3" Stand-Off Barrels', 'Z45', 'Monitor Mount', and 'Bolts'.

Connect Monitor Mount to Standoff Barrels using Bolts.

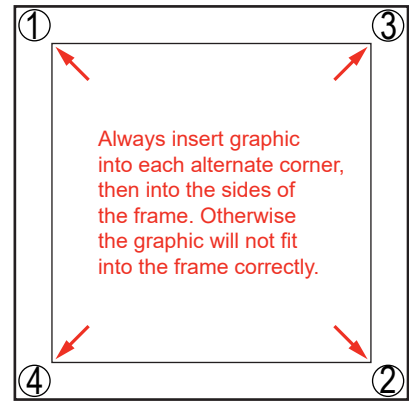
Note: Monitor mounts install through SEG graphic.



FRONT VIEW

SEG Graphic Installation

STEP 1: Attach Corners

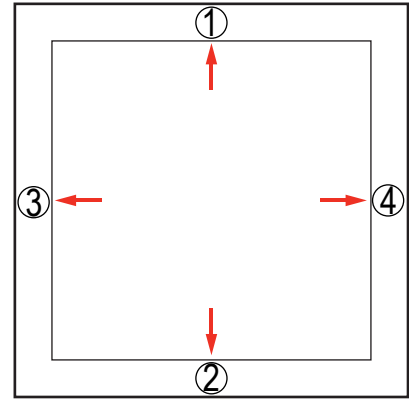


Insert narrow side of silicone welt into the channel at corner 1, with fabric to the outside.

Repeat for opposite corner 2, then corner 3, then corner 4.



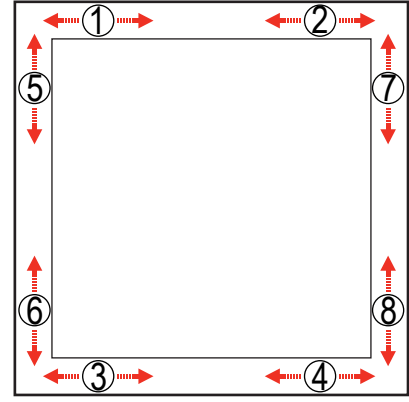
STEP 2: Attach Middle



Once corners are attached, press the middle of edge 1 into the channel. Then press middle of edge 2 into the channel on opposite side.

Repeat with edge 3 & 4.

STEP 3: Attach Sides



Once the middle of sides are attached, fully press the silicone welt into the channel, between center and corner at location 1. Repeat the process between center and corner at location 2.



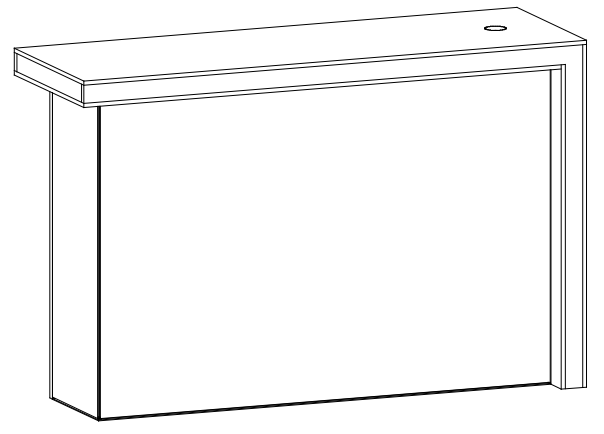
Do the same for welt on opposite side, at locations 3 & 4. Then repeat for locations 5 & 6 and 7 & 8.



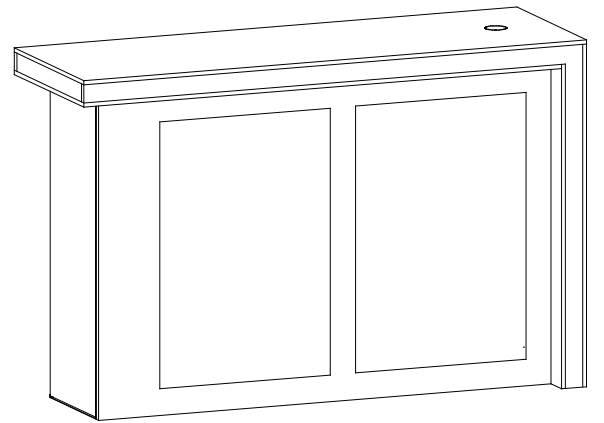
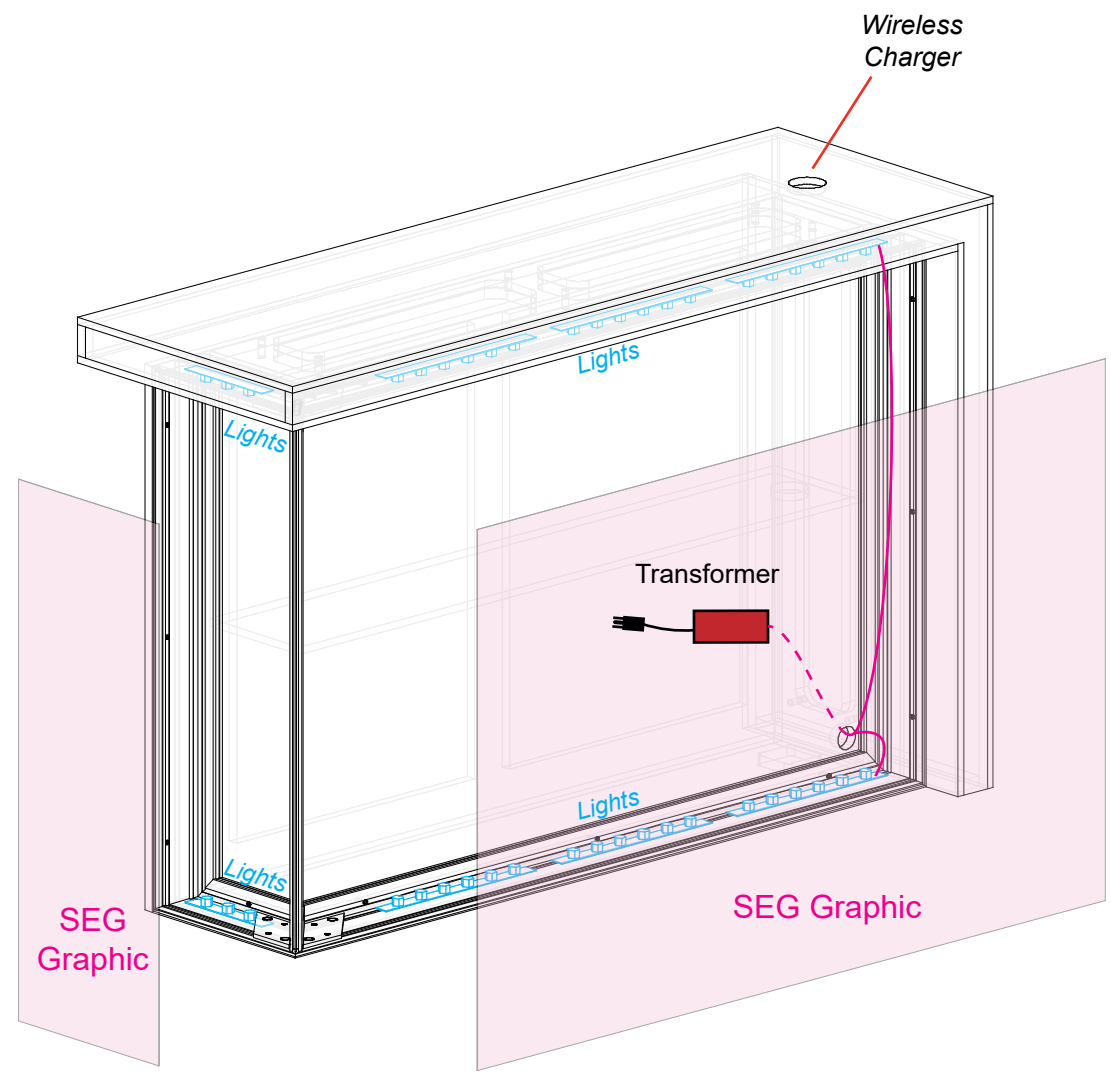
To remove the graphic from the frame, locate the fabric pull tab. Gently pull on the tab to remove the graphic.

Steps:

- 1) Connect power cords to Supernova lights in front & side lightboxes.
- 2) Apply SEG graphics to front & side frame of counter.
- 3) Connect power to charging ports in counter top.

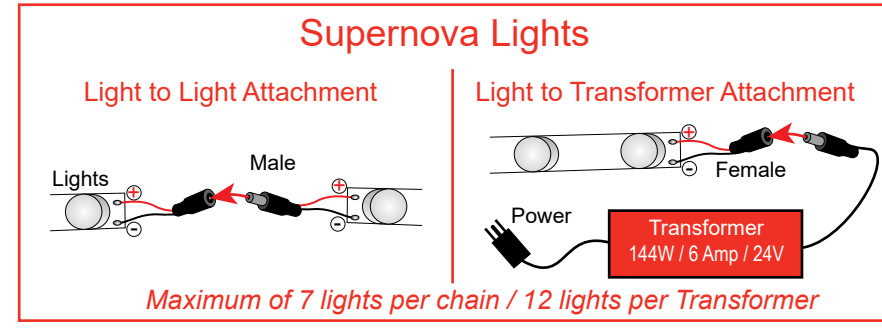


FRONT VIEW

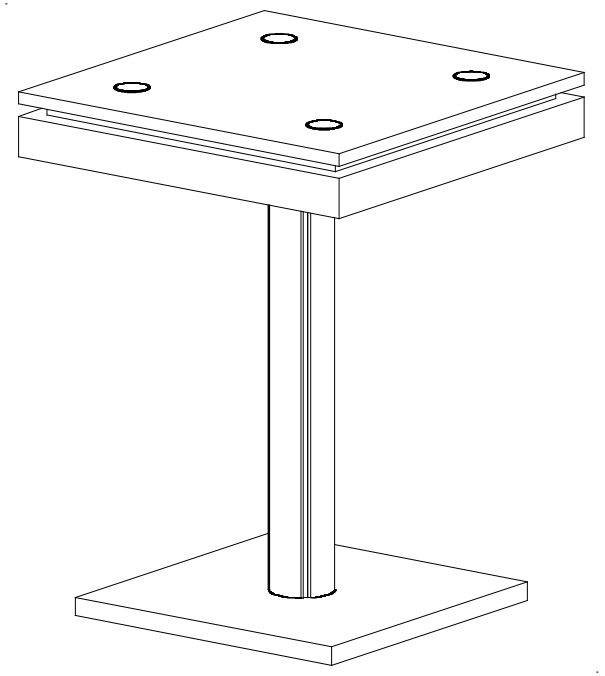
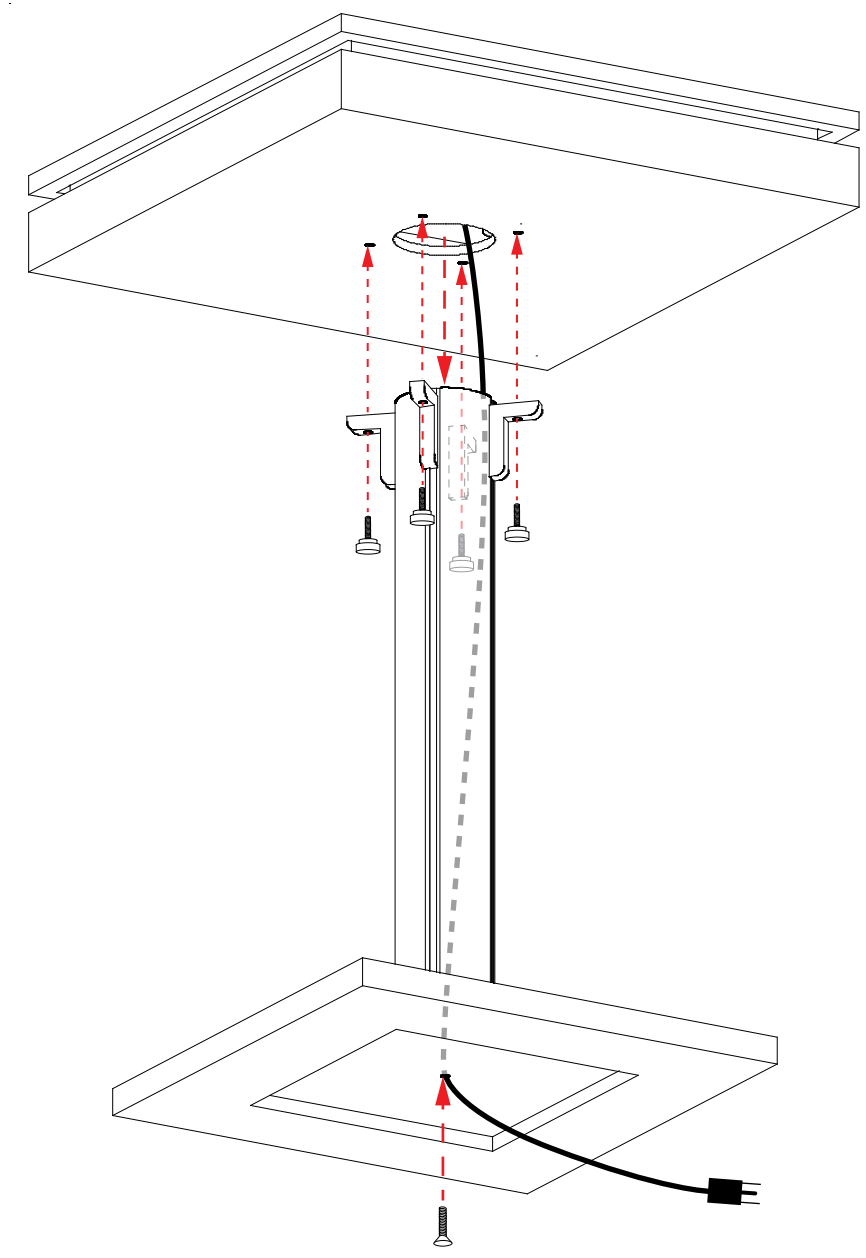
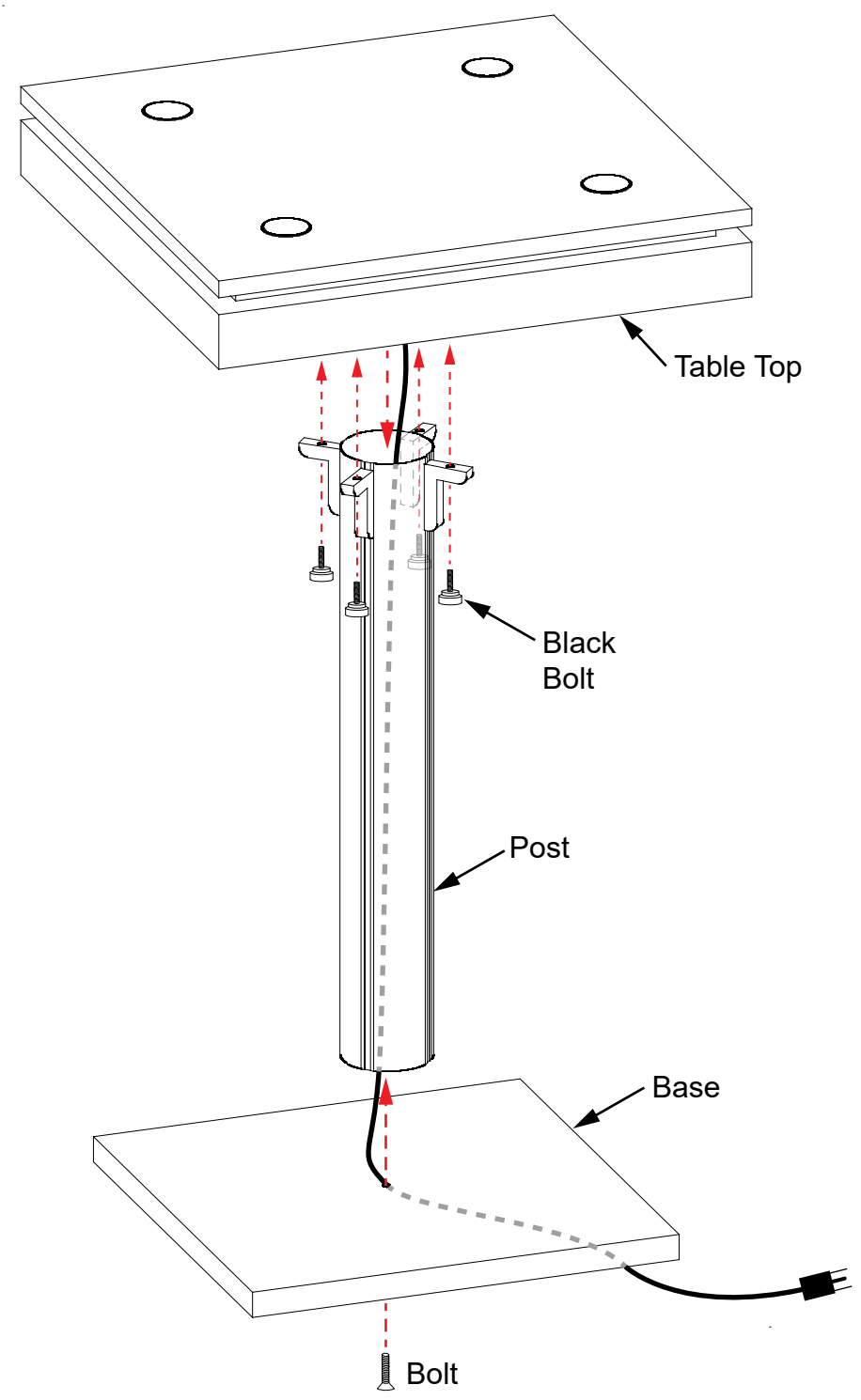


BACK VIEW

**Keep counter assembled for shipment.
DO NOT DISASSEMBLE.**



- Steps:
- 1) Connect base to post, using bolt.
 - 2) Route cord from table top through post and base.
 - 3) Connect table top to post with fixed brackets, using black bolts.



Completed Assembly